



High-power LED streetlight with cover, frame, and pole attachment in EN AB 46100 die-cast aluminium with low copper content, with polyester powder coating. Suitable for installation both on top of the pole and offset, with 5° pitch adjustment. Opening and closing system with integrated front handle. Closure fabricated in tempered flat glass (thickness 4 mm). Cable input via PG13.5. Safety switch. Cable plate in PA6.6+PV. Printed Circuit Board (PCB) in metal core. Metallic PC optic system. Common mode surge protection up to 10 kV. Operational up to 50°C ambient temperature but with reduction of the supply current as indicated in the Instruction Manual.

#### GENERAL INFORMATION

Context	Street and parking lighting
Luminaire	LED Road Equipment
Application	External
Unique digital code (Datamatrix)	Currently not present

Colour	Graphite grey
Type of light source	LED - Not replaceable
System power	20 W @ 0.5A
LED Lifetime	L90B10(Tq25°C)>115.000h; L90B10 (Tq50°C)=115.000h
Weight (kg)	6.4
Warranty	5 years
Stocking temperature	-
Operating temperature	-25 +50 °C

<b>MATERIALS</b>	-
Body	Die-cast aluminium
Shield type	4mm thick flat tempered glass
Optic	Metallized polycarbonate reflector
Gasket	Anti-aging silicone
Locking Hook	Integrated front handle
External screw	Stainless steel

Colour	Powder coating
<b>STANDARDS AND APPROVALS</b>	-
Classification	-
Device with reduced surface temperature	-
DIN 18032-3 certification	-
IPEA	-
Insulation class	II
IP degree	IP66
Mechanical resistance	IK08
Glow Wire Test	-

#### OPTIC AND ILLUMINATING FEATURES

Optic	WIDE
Unified Glare Rating	G*3 - ULOR = 0
Lumen output (lm)	2400
Efficacy (lm/W)	120
Colour temperature	4000 K
Colour Rendering Index	CRI>70
Standard Deviation Colour Matching	SDCM = 5
Photobiological Risk Class	RG0
Standard	EN 60598-2-3, EN 60598-1 IEC/TR 62778

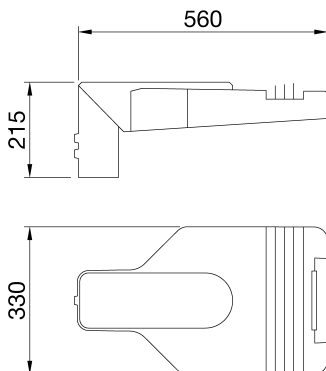
#### ELETRICAL AND LIGHTING FEATURES

Supply voltage	220 - 240 V
Rated frequency (Hz)	50 / 60
Driver failure rate	F10=100.000h Tq25°C/75.000h Tq50°C
Driver	Included
Overvoltage protection	DM 10KV / CM 10KV
Control System	DALI

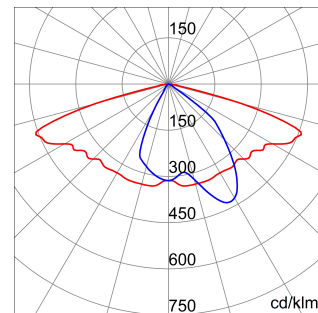
#### INSTALLATION AND MAINTENANCE

Mounting and installation	Pole Head - Outreach
Tilt	-20° ÷ +10° side bracket - -10° ÷ +20° pole head
Wiring	Isolating switch
Fixing	Pole Head - Outreach
Light source replaceability	Not available
Controlgear replaceability	Not available
Driver Box	Built-in
Maximum surface exposed to the wind	0.15 m²
Wiring	-
Fixing	-
Light source replaceability	-
Controlgear replaceability	-
Driver Box	-
Maximum surface exposed to the wind	-
Insulation class	-
IP degree	-
Mechanical resistance	-
Glow Wire Test	-

### DIMENSIONAL



### PHOTOMETRIC DISTRIBUTION



### TECHNICAL SYMBOLOGY



0.15 m²



IP

IP66

IK

IK08

GWT

-



Product Data Sheet

**GWR5251D**

ROAD [5] Range

STANDARDS/APPROVALS

