



Smart [3] Plus is an IP66/69 ceiling light with LED Flip Type without wire boring, available in 3000K, 4000K, 5700K, with CRI ≥80 and ≥90. IK08 body in self-extinguishing polycarbonate RAL7035, for industrial applications and ideal for production areas, warehouses, and logistics areas. Can replace high flux and lowbay fluorescent devices up to 10,000lm. Available in sizes 800, 1200, 1600mm, powers from 25W to 63W, flows from 4,000lm to 10,000lm, with integrated On/Off or DALI power and 3 different optical solutions, Transparent, Opal and Transparent screen with medium-beam optics complete with TIR lens made of PMMA. The version with through wiring has pre-wired mechanical and electrical components, with a maximum of 25 devices installed in a continuous row. It is possible to install the suspension and wall appliance, accessories bracket GW with inclination of 30° or 45° on the vertical axis. An emergency kit version is available.

GENERAL INFORMATION

| | |
|---|---|
| Context | Lighting of warehouses, indoor parking and industrial production rooms |
| Luminaire | LED fixture for general lighting |
| Application | Internal |
| Unique digital code (Datamatrix) | Datamatrix |
| Colour | Grey RAL 7035 |
| Type of light source | LED |
| System power | 61 W |
| LED Lifetime | L90B10(Tq25°C)=50.000h; L80B10(Tq25°C)=100.000h; L80B10(Tq50°C)=94.000h |
| Weight (kg) | 3.8 |
| Warranty | 5 years |
| Stocking temperature | -25 +80 °C |
| Operating temperature | -25 +50 °C |
| MATERIALS | |
| Body | Polycarbonate |
| Shield type | UV stabilised polycarbonate |
| Optic | Integrated in the screen |
| Gasket | CNC deposited sealant |
| Locking Hook | - |
| External screw | - |
| Colour | RAL7035 colored PC paste |
| STANDARDS AND APPROVALS | |
| Classification | - |
| Device with reduced surface temperature | Yes |
| DIN 18032-3 certification | Not available |
| IPEA | - |
| Insulation class | II |
| IP degree | IP66/IP69 |
| Mechanical resistance | IK08 |
| Glow Wire Test | 850 °C |

OPTIC AND ILLUMINATING FEATURES

| | |
|------------------------------------|------------------|
| Optic | Wide opal |
| Unified Glare Rating | UGR ≤ 25 (4H/4H) |
| Lumen output (lm) | 8500 |
| Efficacy (lm/W) | 139 |
| Colour temperature | 3000 K |
| Colour Rendering Index | CRI>80 |
| Standard Deviation Colour Matching | SDCM = 3 |
| Photobiological Risk Class | RG0 |

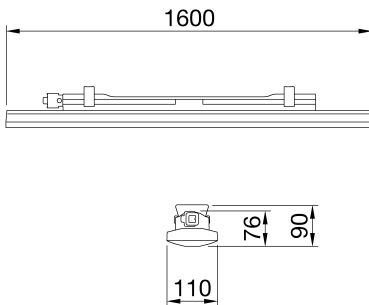
ELECTRICAL AND LIGHTING FEATURES

| | |
|------------------------|--------------------------------|
| Standard | EN60598-1; IEC 62778; IEC62471 |
| Supply voltage | 220-240 V |
| Rated frequency (Hz) | 50/60 Hz |
| Driver | Included |
| Driver failure rate | F10 = 100.000h Tq25°C |
| Overvoltage protection | DM 1kV / CM 2kV |
| Control System | Through wiring - On/Off |

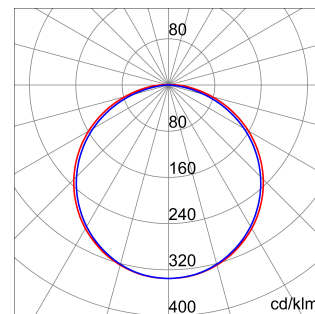
INSTALLATION AND MAINTENANCE

| | |
|-------------------------------------|--------------------------------------|
| Mounting and installation | Ceiling - Wallmounting - Suspension |
| Tilt | With fixing bracket |
| Wiring | With GW connect watertight connector |
| Fixing | Stainless steel support |
| Light source replaceability | Non-replaceable |
| Controlgear replaceability | Non-replaceable |
| Driver Box | Built-in |
| Maximum surface exposed to the wind | - |

DIMENSIONAL



PHOTOMETRIC DISTRIBUTION



TECHNICAL SYMBOLOGY



IP

IP66/IP69

IK

IK08

GWT

850 °C



Product Data Sheet
GWS3322BP830

SMART [3] PLUS

STANDARDS/APPROVALS

