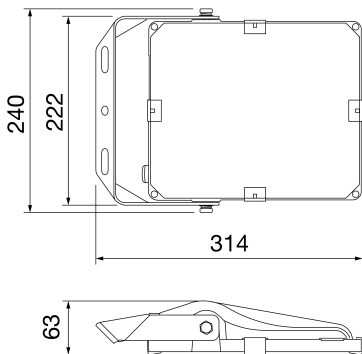




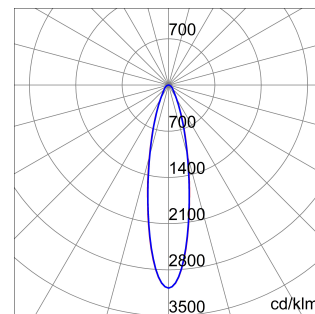
ELIA FL is a LED outdoor floodlight available in low, medium and high power versions for lighting external industrial areas, such as car parks and walkways or driveways. It can be mounted on surfaces, ceilings or on the ground using the adjustable steel bracket supplied with the device, or in the pole head version, courtesy of the dedicated accessory for poles with a diameter of up to 61mm. Crafted from black powder-coated die-cast aluminium, it is available in four sizes and powers, with integrated power supply in the On/Off or DALI options, three types of optic (30°, 60° and asymmetrical) with a colour temperature of 4,000K (neutral white) and a colour rendering index of more than 80. Tough and durable, ELIA FL has been designed to withstand surges of up to 10KV and temperature variations from -30 °C to + 50 °C, and offers protection from water and dust penetration of up to level IP66 and from shocks and impacts of up to level IK08. ELIA FL is quick and easy to install thanks to its limited weight and adjustable bracket.

| GENERAL INFORMATION                     |   | OPTIC AND ILLUMINATING FEATURES     |                                   |
|---|---|-------------------------------------|-----------------------------------|
| Context                                 | Industry, Logistic, Façade, Sport                     | Optic                               | 30°                               |
| Luminaire                               | LED luminaire with small, mid and high lumen power    | Unified Glare Rating                | ULOR = 0%                         |
| Application                             | Indoor / Outdoor                                      | Lumen output (lm)                   | 6600                              |
| Unique digital code (Datamatrix)        | Currently not present                                 | Efficacy (lm/W)                     | 132                               |
| Colour                                  | Black   | Colour temperature                  | 4000 K                            |
| Type of light source                    | LED   | Colour Rendering Index              | CRI 80                            |
| System power                            | 50 W  | Standard Deviation Colour Matching  | SDCM = 5                          |
| LED Lifetime                            | L80B50 (Tq25°) = 89.000h                              | Photobiological Risk Class          | RG0                               |
| Weight (kg)                             | 2.6   | Standard                            | -                                 |
| Warranty                                | 5 years   | ELECTRICAL AND LIGHTING FEATURES    |                                   |
| Stocking temperature                    | -40° +85°   | Supply voltage                      | 100-240 V                         |
| Operating temperature                   | -30° +50°   | Rated frequency (Hz)                | 50 / 60                           |
| MATERIALS                               |   | Driver                              | Included                          |
| Body                                    | Die-cast aluminium                                    | Driver failure rate                 | F10 = 80.000h Tq25°C              |
| Shield type                             | Flat silked tempered glass 4mm thick with Gewiss logo | Overvoltage protection              | Overvoltage protection 6-4kV      |
| Optic                                   | With high efficiency optic system                     | Control System                      | ON OFF                            |
| Gasket                                  | -   | INSTALLATION AND MAINTENANCE        |                                   |
| Locking Hook                            | -   | Mounting and installation           | Ceiling - Wall - Floor            |
| External screw                          | Stainless steel                                       | Tilt                                | With adjustable bracket assembled |
| Colour                                  | Powder coating  | Wiring                              | With power cable                  |
| STANDARDS AND APPROVALS                 |   | Fixing                              | -                                 |
| Classification                          | -   | Light source replaceability         | By professional                   |
| Device with reduced surface temperature | -   | Controlgear replaceability          | By professional                   |
| DIN 18032-3 certification               | -   | Driver Box                          | Built-in                          |
| IPEA                                    | -   | Maximum surface exposed to the wind | 0.05 m²                           |
| Insulation class                        | I   |                                     | -                                 |
| IP degree                               | IP66  |                                     | -                                 |
| Mechanical resistance                   | IK08  |                                     | -                                 |
| Glow Wire Test                          | 750 °C  |                                     | -                                 |

### DIMENSIONAL



### PHOTOMETRIC DISTRIBUTION



### TECHNICAL SYMBOLOGY



**IP**  
IP66

**IK**  
IK08

**GWT**  
750 °C



Product Data Sheet  
GWF1100GF840

ELIA FL

STANDARDS/APPROVALS

