



ELIA DL Flush-mounting LED downlight for lighting entrance areas, corridors and shared spaces, crafted from white power-coated die-cast aluminium with an opal diffusing shield. It is available in two power versions, with separate electronic power supply in the On/Off or DALI options provided as part of a kit, colour temperature of 4,000 K (neutral white) and colour rendering index of more than 80 or more than 90. ELIA DL has been designed to withstand temperature variations from -20°C to + 45°C, and offers protection from water and dust penetration of up to level IP54 and from shocks and impacts of up to level IK06. Light and easy to handle, ELIA DL is easy to install thanks to the connector for the electrical wiring and the quick, simple fin-locking mechanism.

GENERAL INFORMATION

Context	Interior lighting
Luminaire	LED luminaire for diffuse light
Application	Internal
Unique digital code (Datamatrix)	Currently not present
Colour	White
Type of light source	LED
System power	35 W
LED Lifetime	L80B50 (Tq25°) = 50.000h
Weight (kg)	0.8
Warranty	5 years
Stocking temperature	-20° +65°
Operating temperature	-20° +45°

OPTIC AND ILLUMINATING FEATURES

Optic	Wide opal
Unified Glare Rating	-
Lumen output (lm)	3300
Efficacy (lm/W)	94
Colour temperature	4000 K
Colour Rendering Index	CRI 90
Standard Deviation Colour Matching	SDCM = 3
Photobiological Risk Class	RG0
Standard	EN 60598-1; EN 60598-2-2; IEC/TR 62778; EN 62493

MATERIALS

Body	Die-cast aluminium
Shield type	Polycarbonate
Optic	Opalescent polycarbonate diffuser
Gasket	-
Locking Hook	-
External screw	-
Colour	Powder coating

ELECTRICAL AND LIGHTING FEATURES

Supply voltage	220-240 V
Rated frequency (Hz)	50 / 60
Driver	External - Included
Driver failure rate	F025 (Tq=25°C) = 50.000 h
Overvoltage protection	DM 1 kV
Control System	DALI

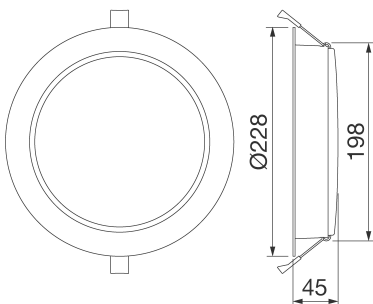
INSTALLATION AND MAINTENANCE

Mounting and installation	For flush-mounting
Tilt	-
Wiring	With connection terminal on driver
Fixing	Via springs integrated with the luminaire
Light source replaceability	Non-replaceable
Controlgear replaceability	By professional
Driver Box	-
Maximum surface exposed to the wind	-

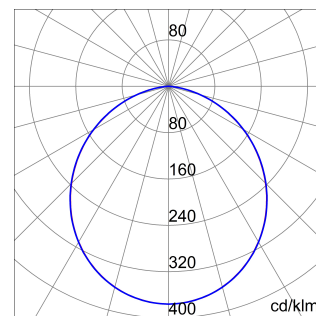
STANDARDS AND APPROVALS

Classification	-
Device with reduced surface temperature	-
DIN 18032-3 certification	Not available
IPEA	-
Insulation class	II
IP degree	IP40 - IP54
Mechanical resistance	IK06
Glow Wire Test	650 °C

DIMENSIONAL



PHOTOMETRIC DISTRIBUTION



TECHNICAL SYMBOLOGY



IP
IP40 - IP54

IK
IK06

GWT
650 °C

STANDARDS/APPROVALS



Data, measures, designs and pictures are for information purpose only, last update 18/04/2024. They can be changed at any moment, therefore it is always recommended to read the last updated version published on the website www.gewiss.com. Lumen output and system power are subject to a tolerance of +/- 10%. Unless stated otherwise, the values apply to an ambient temperature of 25°C. Terms of warranty at <https://www.gewiss.com/it/en/company/landingpage/led-warranty>. - 1 of 1