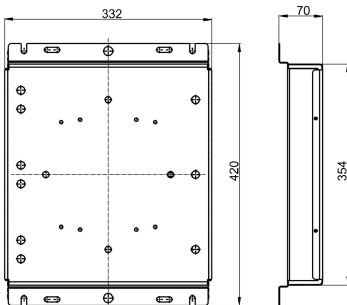


Remote supply unit for Smart[PRO] 2+2M, composed by two different watertight drivers 1-10V dimming.

Application	Indoor / Outdoor	Series	Smart [PRO] 2.0
Versions	1-10V	IP degree	IP66
Mechanical resistance	IK08	Insulation class	I
Maximum surface exposed to the wind	0.139 m ²	Operating temperature	-30°C ÷ +50 °C
Warranty	5 years	Weight (kg)	6.5
Voltage	220-240 V - 50/60 Hz	Description	Remote supply unit 1-10V
Overvoltage resistance	DM 5KV / CM 10KV	Driver failure rate	F10 = 80.000h Tq25°C

DIMENSIONAL



PHOTOMETRIC DISTRIBUTION

TECHNICAL SYMBOLOGY



IP

IP66

IK

IK08



0.139 m²



STANDARDS/APPROVALS

