



SMART [PRO] 2.0 is a medium power outdoor and indoor LED projector, suitable for lighting sports areas and facilities. It can be installed on the wall, ceiling or ground thanks to the polyester powder coated galvanised steel bracket, with trivalent passivation, equipped with adjustable goniometric scale and supplied in kit. The body is produced in aluminium die casting

EN AB 46100, with integrated passive heat sink, powder coated polyester with trivalent passivation. Metal core PCB with CSP LED.

Reflector made of metallic HT PC or anodised and polished aluminium. Hardened front glass with 4mm thickness, anti-ageing silicone seals and A2 stainless steel exterior screws. Plastic venting and anti-condensation device. Electrical connection via IP68 connector for 1.5mm² cables. Insulation class 1.

Driver integrated in options 1-10 V or DALI. Available with nine different types of optics, three types of Colour Temperature (3,000K/4,000K/5,700K) and two different types of Chromatic Yield Index (CRI>70, CRI>80). Designed to withstand surges up to 5KV (RCCB mode) and 10KV (common mode), temperature variations from -30°C to +50°C, water and dust penetration up to IP66 protection and impacts up to IK08.

GENERAL INFORMATION

Context	Sport, Big Areas
Luminaire	LED luminaire with small, mid and high lumen power
Application	Indoor / Outdoor
Unique digital code (Datamatrix)	Currently not present
Colour	Graphite grey
Type of light source	LED
System power	165 W
LED Lifetime	L90B10(Tq25°C)=50.000h; L80B10 (Tq25°C)=110.000h
Weight (kg)	5.7

OPTIC AND ILLUMINATING FEATURES

Optic	C1 - Circular 30°
Unified Glare Rating	G*6 - ULOR = 0
Lumen output (lm)	20000
Efficacy (lm/W)	121
Colour temperature	4000 K
Colour Rendering Index	CRI>70
Standard Deviation Colour Matching	SDCM = 5
Photobiological Risk Class	-
Standard	EN60598-1; EN60598-2-5; EN60598-2-24; IEC 62778; IEC62471; EN13201

Warranty	5 years
Stocking temperature	-
Operating temperature	-30°C ÷ +50 °C

ELETRICAL AND LIGHTING FEATURES

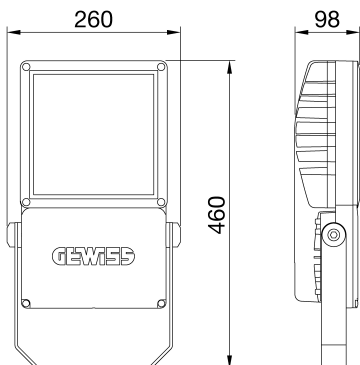
Supply voltage	220 - 240 V
Rated frequency (Hz)	50 / 60
Driver	Included
Driver failure rate	F10 = 100.000h Tq25°C
Overvoltage protection	DM 6 kV / CM 10 kV
Control System	DALI

MATERIALS	-
Body	Die-cast aluminium
Shield type	Flat tempered glass 4mm
Optic	Polished quartz and metallized PC HT reflector

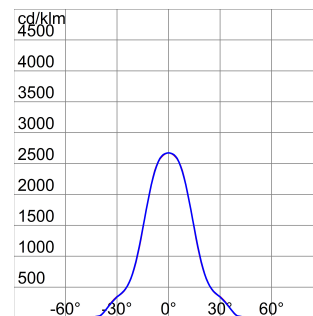
INSTALLATION AND MAINTENANCE

Gasket	Anti-aging silicone	Mounting and installation	High-mast lighting - Wall mounting - Ground mouting
Locking Hook	Hexagonal metric screws	Tilt	Rotation on bracket with integrated goniometer
External screw	Stainless steel	Wiring	Watertight connector
Colour	Polyester powder coated	Fixing	Bracket
STANDARDS AND APPROVALS	-	Light souce replaceability	By professional
Classification	-	Controlgear replaceability	By professional
Device with reduced surface temperature	Yes	Driver Box	Built-in
DIN 18032-3 certification	Available	Maximum surface exposed to the wind	0,085 m2
IPEA	-	Insulation class	I
IP degree	IP66	IP degree	IP66
Mechanical resistance	IK08	Mechanical resistance	IK08
Glow Wire Test	-	Glow Wire Test	-

DIMENSIONAL



PHOTOMETRIC DISTRIBUTION





Product Data Sheet

GWP2174MD

SMART [PRO] 2.0

TECHNICAL SYMBOLOGY




0,085 m2



IP
IP66

IK
IK08

GWT
-

STANDARDS/APPROVALS

