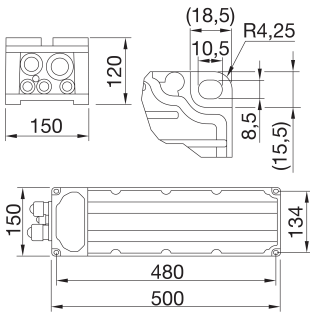


Smart [PRO] 3x2M Remote power unit

Insulation class	I	IP degree	IP66
Mechanical resistance	IK08	Type	External power supply
Voltage	220-400 V - 50/60 Hz	Versions	DALI
Description	DALI power supply unit 3x2M 220-400V	Weight (kg)	6.1
Series	Smart [PRO] 2.0	Application	Indoor / Outdoor
Number of modules	3x2M	Maximum surface exposed to the wind	0.075 m <sup>2</sup>
Warranty	5 years	Operating temperature	-30°C ÷ +50 °C
Overvoltage resistance	DM 10KV / CM 10KV	Driver failure rate	F10 = 50.000h Tq25°C

### DIMENSIONAL



### PHOTOMETRIC DISTRIBUTION

### TECHNICAL SYMBOLOGY



IP  
IP66

IK  
IK08



0.075 m<sup>2</sup>



### STANDARDS/APPROVALS

