

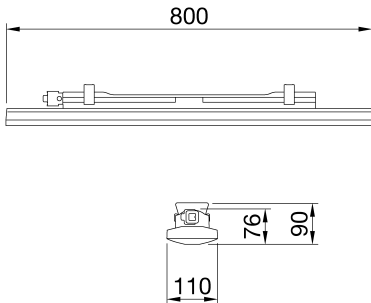
On request



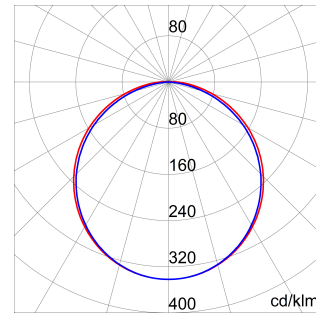
Smart [3] is a watertight fixture IP66/69 with Flip Type LED without wire bonding, available in 3000K,4000K,5700K, with CRI ≥80. IK08 body in RAL7035 colored self-exhausting polycarbonate, for industrial applications and ideal for production areas, warehouses, logistics areas and design to replace fluorescent devices and lowbay up to 6,500lm. Available in sizes 800, 1200, 1600mm, powers from 18W to 58W, flux range from 1.700lm to 6.500lm, with integrated Power On/Off or DALI and 2 different optical solutions UV-stabilized self-extinguishing polycarbonate, in opal or transparent finish. The version with passing wiring has mechanical and electrical connection components prewired, with up to 25 fixtures installed in a continuous row. The device can be hung or wall mounted and is available a GW bracket accessories with a tilt of 30° or 45° on the vertical axis. Available also with an emergency kit version.

Application	Internal	Series	SMART [3]
Type	DALI	IP degree	IP66/IP69
Mechanical resistance	IK08	Insulation class	II
Glow Wire Test	850 °C	Length	800 mm
Device with reduced surface temperature	Compliant	Shield type	Opal diffuser
Operating temperature	-30°C ÷ +50 °C	Weight (kg)	1.5
Voltage	220/240 V - 50/60 Hz - Dali	Lamp	LED
Driver type	Constant Current Driver Led	System power	17 W
Type of light source	LED - Not replaceable	Colour temperature	5700 K (CRI>80)
Efficiency class of integrated LEDs	A ÷ A++	Nominal flux (lm)	2100
Lumen output (lm)	1500	LED Life Time (L80B50)	100000 h
LED Life Time (L90B50)	50000 h	LED LifeTime (L80B20)	85000 h
Failure rate apparecchio (35.000h, Tq=35° C)	<2,5%	Failure rate apparecchio (50.000h, Tq=25° C)	<2,5%
Warranty	5 years	Overvoltage resistance	Common mode: 2KV; Differential mode: 1KV
Electrocod	2434		

DIMENSIONAL



PHOTOMETRIC DISTRIBUTION



TECHNICAL SYMBOLOGY



IP

IP66/IP69

IK

IK08



GWT

850 °C



CONSTANT
CURRENT
DRIVER



STANDARDS/APPROVALS

