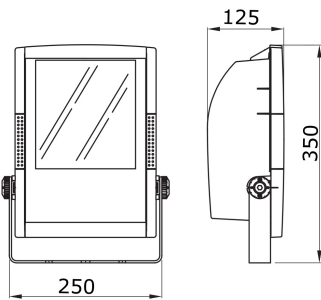




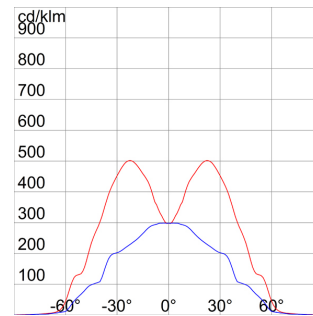
Thermoplastic indoor and outdoor floodlight in smoke grey color with hot galvanized bracket painted the same color of the body. Equipped with graduate scale to facilitate orientation. Flat tempered glass 4 mm thickness silk screen printed; hinged to the body for quick access inside the floodlight. Anti-aging silicone gasket. Power input through PG 11 for cables Ø 5.5 ÷ 9.5 mm. Optic in 99.85% polished and anodised aluminium. Electrical component plate in galvanized steel. Quick wiring bipolar terminal block for cable 2,5mm².

Application	Indoor / Outdoor	IP degree	IP65
Mechanical resistance	IK09	Insulation class	II
Glow Wire Test	650 °C	Maximum surface exposed to the wind	0.072 m ²
Minimum distance from the illuminated object	1 m	Weight (kg)	3.7
Colour	Smoke grey	Voltage	230 V - 50 Hz
Lamp power	70 W	Lamp current	1 A
Lamp holder	RX7s	Lamp supplied	SD
Lamp included	Yes	Efficiency class of the lamp supplied	A+
Efficiency class of compatible lamps	A+	Optic	Symmetrical
Light pollution	0 cd/Klm	Warranty	5 years
Electrocod	2443		

DIMENSIONAL



PHOTOMETRIC DISTRIBUTION



TECHNICAL SYMBOLOGY



IP

IP65

IK

IK09



GWT

650 °C



0.072 m²



1 m



STANDARDS/APPROVALS

