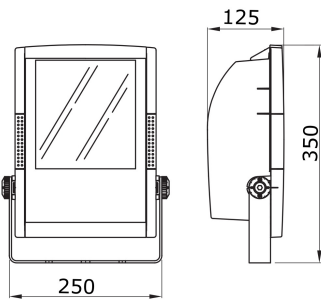
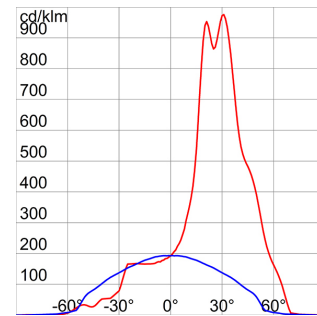


Application	Indoor / Outdoor	IP degree	IP65
Mechanical resistance	IK09	Insulation class	II
Glow Wire Test	650 °C	Maximum surface exposed to the wind	0.072 m <sup>2</sup>
Minimum distance from the illuminated object	1 m	Weight (kg)	3.7
Colour	Smoke grey	Voltage	230 V - 50 Hz
Lamp power	70 W	Lamp current	1 A
Lamp holder	RX7s	Lamp supplied	MD
Lamp included	Yes	Efficiency class of the lamp supplied	A
Efficiency class of compatible lamps	A ÷ A+	Optic	Asymmetrical - ULOR: 0%
Light pollution	0 cd/Klm	Warranty	5 years
Electrocod	2443		

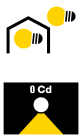
### DIMENSIONAL



### PHOTOMETRIC DISTRIBUTION



### TECHNICAL SYMBOLOGY



IP

IP65



IK

IK09



GWT

650 °C



0.072 m<sup>2</sup>



1 m



### STANDARDS/APPROVALS

