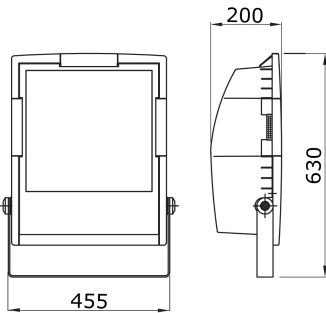
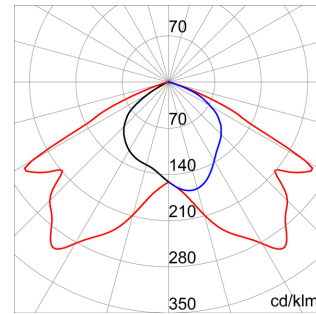


Application	External	IP degree	IP65
Mechanical resistance	IK09	Insulation class	II
Glow Wire Test	650 °C	Maximum surface exposed to the wind	0.235 m <sup>2</sup>
Minimum distance from the illuminated object	1 m	Weight (kg)	10.5
Colour	Smoke grey	Voltage	230 V - 50 Hz
Lamp power	250 W	Lamp current	3 A
Lamp holder	E40	Lamp supplied	MT
Lamp included	Yes	Efficiency class of the lamp supplied	A
Efficiency class of compatible lamps	A ÷ A+	Optic	Street
Light pollution	0 cd/klm	Warranty	5 years
Electrocod	2443		

### DIMENSIONAL



### PHOTOMETRIC DISTRIBUTION



### TECHNICAL SYMBOLOGY



**IP**  
IP65

**IK**  
IK09



**GWT**  
650 °C

0.235 m<sup>2</sup>

1 m



### STANDARDS/APPROVALS

