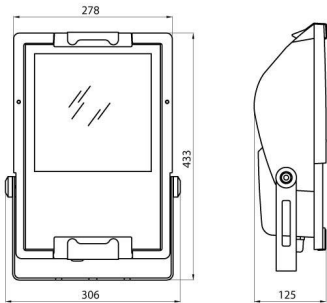




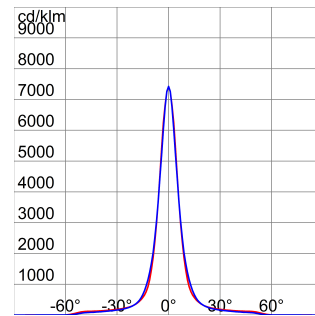
Floodlight in die cast aluminum with galvanized bracket and painted the same color as the body. Equipped with graduate scale to facilitate orientation. Flat tempered glass 4 mm thickness silk screen printed; hinged to the body for quick access inside the Floodlight. Anti aging silicone gasket. Power input through PG13.5 for cables Ø 6.5 ÷ 13 mm. Optic in 99.85% polished and anodised aluminium. Electrical component plate in galvanized steel. Quick wiring tripolar terminal block.

Application	Indoor / Outdoor	IP degree	IP66
Mechanical resistance	IK07	Insulation class	I
Maximum surface exposed to the wind	0.103 m <sup>2</sup>	Lateral surface exposed to the wind	0.034 m <sup>2</sup>
Minimum distance from the illuminated object	1 m	Weight (kg)	5.6
Colour	Graphite grey	Voltage	230 V - 50 Hz
Lamp power	70 W	Lamp current	1 A
Lamp holder	RX7s	Lamp supplied	MD
Lamp included	Yes	Efficiency class of the lamp supplied	A
Efficiency class of compatible lamps	A ÷ A+	Optic	Circular - ULOR: 0%
Electrocod	2433		

### DIMENSIONAL



### PHOTOMETRIC DISTRIBUTION



### TECHNICAL SYMBOLOGY



IP  
IP66

IK  
IK07



0.103 m<sup>2</sup>



1 m



WITH  
LAMP



0° Cd

### STANDARDS/APPROVALS

