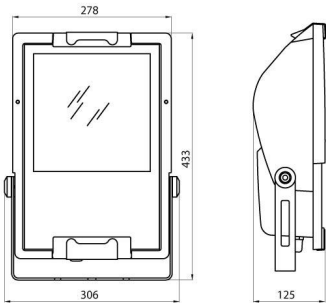




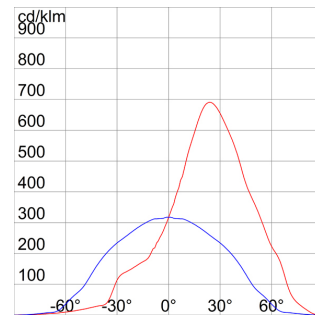
Floodlight in die cast aluminum with galvanized bracket and painted the same color as the body. Equipped with graduate scale to facilitate orientation. Flat tempered glass 4 mm thickness silk screen printed; hinged to the body for quick access inside the Floodlight. Anti aging silicone gasket. Power input through PG13.5 for cables Ø 6.5 ÷ 13 mm. Optic in 99.85% polished and anodised aluminium. Electrical component plate in galvanized steel. Quick wiring tripolar terminal block.

Application	Indoor / Outdoor	IP degree	IP66
Mechanical resistance	IK07	Insulation class	I
Maximum surface exposed to the wind	0.103 m²	Lateral surface exposed to the wind	0.034 m²
Minimum distance from the illuminated object	1 m	Weight (kg)	6.8
Colour	Graphite grey	Voltage	230 V - 50 Hz
Lamp power	150 W	Lamp current	1.8 A
Lamp holder	RX7s	Lamp supplied	MD
Lamp included	Yes	Efficiency class of the lamp supplied	A
Efficiency class of compatible lamps	A ÷ A+	Optic	Asymmetrical - ULOR: 0%
Electrocod	2433		

### DIMENSIONAL



### PHOTOMETRIC DISTRIBUTION



### TECHNICAL SYMBOLOGY



IP

IP66

IK

IK07



0.103 m²



1 m



### STANDARDS/APPROVALS

