

Outdoor cable ties, made in PA12, are indicated to fix devices and cables also in presence of low temperature. From sizes 9x265 mm are available ties with double heads that increase the tensile stress resistance.

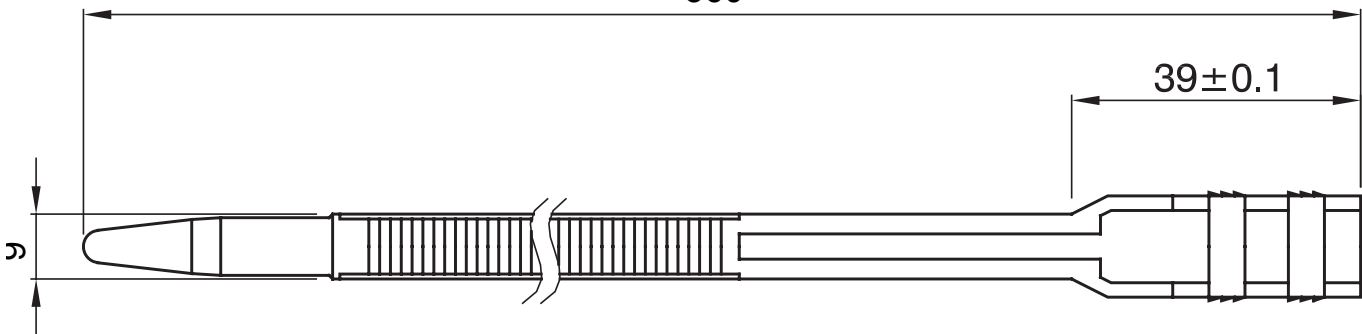
| | | | |
|---|--|--------------------------|------------|
| Colour | Black | Dimensions LxH (mm) | 9x360 |
| Material | Polyamide 12 | Tensile stress (daN) | 50 |
| Terminal grip capacity Ø | 26-93 mm | Number of heads | 2 |
| Glow Wire Test | 650 °C | Type | L.T.R. |
| Type of material | Halogen-free in compliance with EN 60754-2 | Electrocod | 3640 |
| Dielectric rigidity | 28 kV/mm | Standard | EN 62775 |
| Flame resistance in compliance with UL 94 | HB | Oxygen limit index | 22,5% |
| Humidity absorbed | <= 1% | Installation temperature | -25 +60 °C |
| Service temperature range | -45 °C +85 °C (max.peaks 120 °C) | | |

BEHAVIOUR WITH CHEMICAL AND ATMOSPHERIC AGENTS

| Saline solution | Acids | | Bases | | Solvents | | | | Mineral oil | UV rays |
|-----------------|--------------------|--------------------|--------------------|-----------|-----------|-----------|-----------|---------------|-------------|-----------|
| | Concentrated | Diluted | Concentrated | Diluted | Hexane | Benzol | Acetone | Ethyl alcohol | | |
| Resistant | Limited resistance | Limited resistance | Limited resistance | Resistant | Resistant | Resistant | Resistant | Resistant | Resistant | Resistant |

DIMENSIONAL

360



TECHNICAL SYMBOLOGY

GWT

650 °C

HF

HALOGEN FREE

Halogen-free in compliance with EN 60754-2

STANDARDS/APPROVALS

