



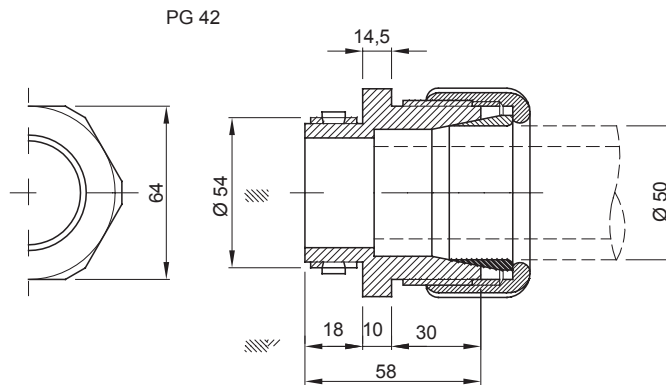
Systems of accessories for electrical installations used for residential, tertiary and industrial applications. The system consists of fasteners for pipes and cables, cable fittings, accessories for rigid pipes (RK Series) and flexible conduit (DF Series). The system include also a wide variety of cable ties (52FS Range) and terminal blocks (44 Range).

| | | | |
|----------------------------|---------------|----------------------------|---|
| Colour | Grey RAL 7035 | Material | Shockproof polymer |
| For external conduits (mm) | 50 | Mounting hole Ø (mm) | 54 |
| IP with rigid conduit | IP66 | IP with corrugated conduit | IP44 |
| Glow Wire Test | 750 °C | Operating temperature | -5 +60 °C |
| Electrocod | 21221 | Standard | EN 61386-1 - EN 60670-1 (as applicable) |

BEHAVIOUR WITH CHEMICAL AND ATMOSPHERIC AGENTS

| Saline solution | Acids | | Bases | | Solvents | | | | Mineral oil | UV rays |
|-----------------|--------------------|--------------------|--------------|-----------|-----------|-----------|-----------|---------------|-------------|--------------------|
| | Concentrated | Diluted | Concentrated | Diluted | Hexane | Benzol | Acetone | Ethyl alcohol | | |
| Resistant | Limited resistance | Limited resistance | Resistant | Resistant | Resistant | Resistant | Resistant | Resistant | Resistant | Limited resistance |

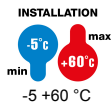
DIMENSIONAL



TECHNICAL SYMBOLOGY

GWT

750 °C



-5 +60 °C

STANDARDS/APPROVALS

