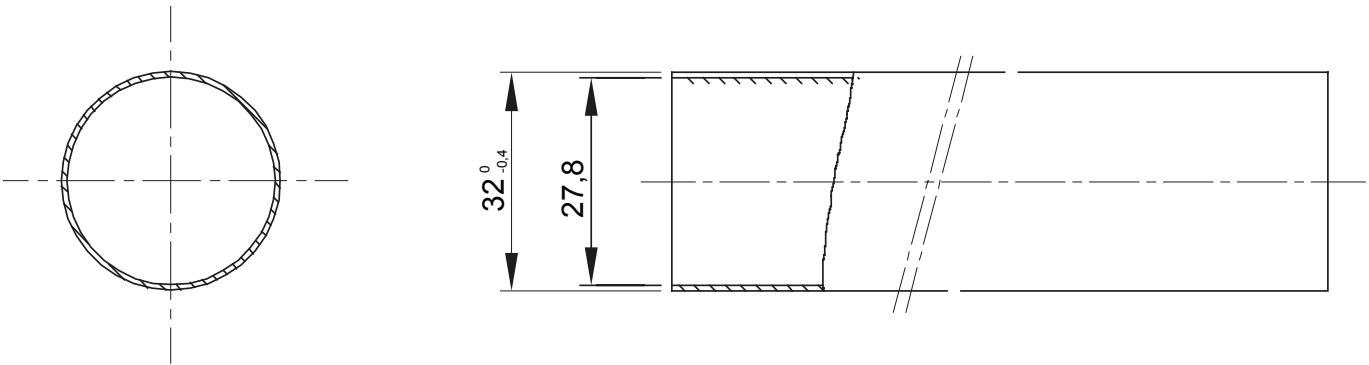




The system of rigid protective conduits made of high quality PVC and PP materials to offer superior performance. Available in diameters from 16 to 32 mm and in lengths from 2 to 3 m. Available in medium, heavy and heavy version in halogen free materials. They can be integrate with conduits flexible systems, spiral sheaths and junction boxes. Completing the offer, a wide range of couplings and routing components with IP40 and IP67 degree of protection. The products are comply with the EN61386 standard have a quality marks.

|   |   |   |  |
|---|---|---|--|
| Colour  | Grey RAL 7035                                 | Material  | PVC  |
| Length (m)  | 3   | Conduits Ø (mm)   | 32   |
| Glow Wire Test  | 960 °C  | Electrocod  | 21220  |
| Resistance to compression                                       | 3 (Medium - 750 N)                            | Resistance to impact  | 3 (Medium - 2 J)                               |
| Resistance to bending   | 1 (Rigid)                                     | Electrical characteristics                                      | 2 (With electrical insulating characteristics) |
| Protection against ingress of solid objects without accessories | 0   | Protection against ingress of water objects without accessories | 0  |
| Resistance against corrosion                                    | Not applicable to plastic conduit systems     | Fire resistance   | 1 (Non-flame propagating)                      |
| Insulation resistance   | 100 MΩ a 500V for 1 minute                    | Protection against ingress of solid objects with accessories    | 4/6<br>(It depends on the accessories used)    |
| Protection against ingress of water with accessories            | 0/5/7<br>(It depends on the accessories used) | Dielectric rigidity   | 2000 V a 50 Hz for 15 minutes                  |
| Standard  | EN 61386-1 EN 61386-21                        | Family  | RK 15  |
| Classification  | 3321  |   |  |

### DIMENSIONAL



### TECHNICAL SYMBOLOGY



### STANDARDS/APPROVALS

