

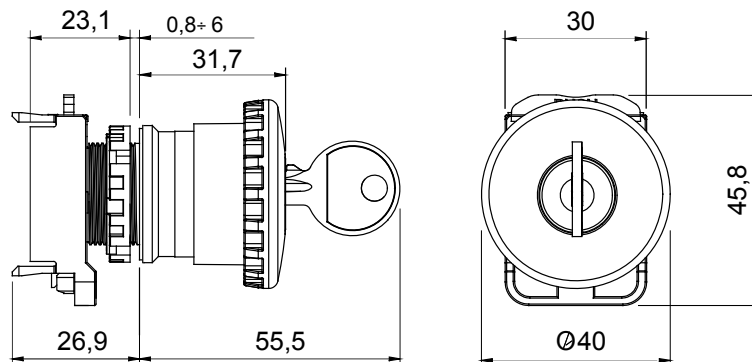


The 74 PS range is a system of push-buttons, selectors and indicators (diameter 22 mm) with a degree of protection of IP66 for creating a real interface between man and machine, whilst at the same time controlling the operating status of the drives and equipment to ensure the highest safety standards. The range includes six types of empty enclosure with between 1 and 12 gangs, and enclosures that come fitted with push-buttons and contacts.

Version	Panel	Functions	With holding and key
Light	No	Material	Insulation
Type	For emergency	Rated current (A)	10
Circuit breaker	Mushroom-head push button	IP degree	IP66
Mechanical resistance	100 m/s ²	Maximum shock resistance	1000 m/s ²
Ambient temperature	-25 +55 °C	Current in AC15 (230 V)	3 A
Current in DC13 (230 V)	0,55 A	Panel thickness	0,8 + 6 mm

DIMENSIONAL

Panel thickness
n



TECHNICAL SYMBOLOGY

IP

IK

IP66

100 m/s²

STANDARDS/APPROVALS

