



70 RT HP is a complete offer of rotary isolator switches from 16 A to 160 A, available in boxes both in insulating material and aluminium, in control or emergency versions, compatible with the main applications for residential, tertiary and industrial contexts.
 DC versions for photovoltaic applications are also available from 16 A to 40 A in insulating box.
 The series is completed with versions for board from 16 A to 1000 A and for DIN rail fixing from 16 A to 63 A, which can be equipped with auxiliary contacts.
 The devices have been designed to reduce wiring time, facilitate installation and guarantee the maximum safety and robustness even in the most demanding conditions.

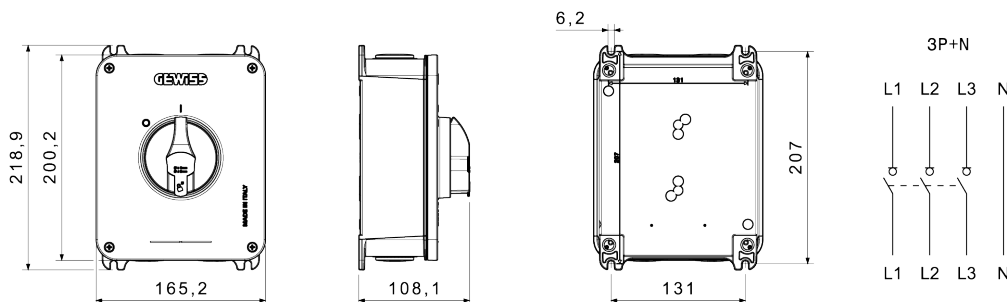
ELECTRICAL CHARACTERISTICS

ELECTRICAL CHARACTERISTICS		FUNCTIONAL CHARACTERISTICS	
Circuit breaker	Rotary isolator	Version	Enclosed
Rated current (A)	40	Material	Aluminium
No. of poles	3P+N	Type	Control
Rated insulation voltage U_i (Vac)	690	Knob colour	Black
Rated operational current AC-21A (415 V) (A)	40	Lockable	Yes (max. 3 padlocks in ON and OFF)
Rated operational current AC-22A (415 V) (A)	40	IP degree	IP66/IP69
Rated operational current AC-23A (415 V) (A)	40	Mechanical resistance	IK11 (enclosure); IK08 (knob)
Conditional short circuit current I_{cc} (415 V) (kA)	10	Operating temperature	-25 +60 °C
Cable section	1-16 mm ²	Cable entries on top	2 x M25 + 2 x M16 max drilling points (E)
ACCESSORIES		Cable entries on bottom	2 x M25 + 2 x M16 max drilling points (E)
Type of accessory	Max. 2 auxiliary contacts (1 per side)	Cable entries on back	2 x M25 max drilling points

BEHAVIOUR WITH CHEMICAL AND ATMOSPHERIC AGENTS

Saline solution	Acids		Bases		Solvents				Mineral oil	UV rays
	Concentrated	Diluted	Concentrated	Diluted	Hexane	Benzol	Acetone	Ethyl alcohol		
Resistant	Limited resistance	Limited resistance	Limited resistance	Limited resistance	Resistant	Resistant	Resistant	Resistant	Resistant	Resistant

DIMENSIONAL



TECHNICAL SYMBOLOGY

IP **IK**

IP66/IP69

IK11 (enclosure);
IK08 (knob)

STANDARDS/APPROVALS



GEWISS S.p.A. Via A. Volta, 1
 24069 Cenate Sotto - Bergamo - Italy
 tel. +39 035 94 61 11 fax +39 035 94 69 09
 Company subject to the management and
 coordination of Polifin S.p.A.

www.gewiss.com
 sat@gewiss.com
 Last update 03/06/2026

Data, measures, designs and pictures are shown
 only as informative purposes,
 and could be changed without previous notice