



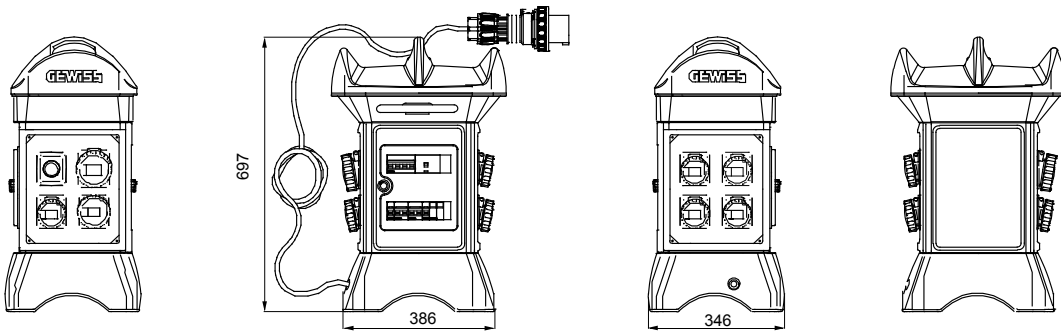
Wired pedestals QMC range, certified for use on construction sites, are extremely versatile and offer a high degree of personalisation. Thanks to the handle built into the head, they can easily be moved all over the site without any need for additional supports. Each pedestal is equipped with stainless steel tear-proof cable-fastening hooks, enclosure with transparent window, and 5 meters of cable with relative plug.

| | | | |
|------------------------------------|-----------------------------|------------------------------------|--------------------------|
| Type | Q-MC ACS | board type | Wired |
| Colour | Light blue | Weight (kg) | 18 |
| Accordance with Standards | EN 61439-4 (ACS) | Characteristics | UV resistance (EN 62208) |
| IP degree | IP56 | Mechanical resistance | IK09 |
| Glow wire test | 650 °C | Thermo-pressure with ball | 70 °C |
| Insulation class | II | Power supply | Mobile plug |
| No. of poles | 3P+N+E | Mains switch | MCB 50A 4P 6kA |
| MCB'S MT main RCCB | RCCB 63A 4P 0,03A - AC type | Circuits protection | MCB |
| Socket-outlet 2P+E 16A - IEC 309 | 4 | Socket-outlet 3P+E 16A - IEC 309 | 1 |
| Socket-outlet 3P+N+E 16A - IEC 309 | 1 | Socket-outlet 3P+N+E 32A - IEC 309 | 1 |
| Cable length | 5 m | Electrocod | 2242 |

BEHAVIOUR WITH CHEMICAL AND ATMOSPHERIC AGENTS

| Saline solution | Acids | | Bases | | Solvents | | | | Mineral oil | UV rays |
|-----------------|--------------------|-----------|--------------------|-----------|--------------------|--------------------|--------------------|---------------|--------------------|-----------|
| | Concentrated | Diluted | Concentrated | Diluted | Hexane | Benzol | Acetone | Ethyl alcohol | | |
| Resistant | Limited resistance | Resistant | Limited resistance | Resistant | Limited resistance | Limited resistance | Limited resistance | Resistant | Limited resistance | Resistant |

DIMENSIONAL



TECHNICAL SYMBOLOGY



EN 61439-4 (ACS)



UV resistance (EN 62208)

IP

IP56

IK

IK09

GWT

650 °C



70 °C



II

STANDARDS/APPROVALS

