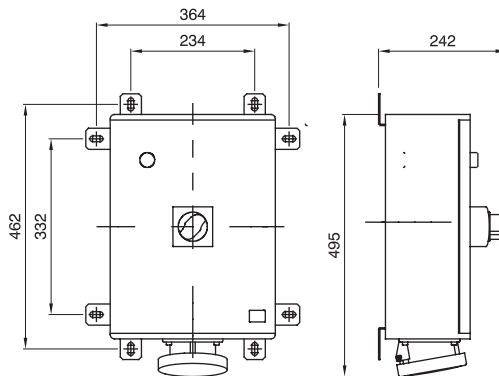




Range of industrial sockets-outlets with rated current equal to 125A in compliance with IEC 60309, with electrical interlock and with MCCB or MCCB equipped with residual current device. The casing of the sockets is made in high performance polyester reinforced with fibre-glass, resistant to UV rays according to EN 62208, impact and abnormal heat and fire. The robustness of the products and their resistance allow the installation in heavy duty environments and with critical atmospheric.

| | | | |
|-----------------------------|------------|------------------------------|--|
| Type | Vertical | Thermo-pressure with ball | 200 °C |
| Impact resistance at -20 °C | 20 J | IP degree | IP66 |
| No. of poles | 3P+N+E | Mechanical resistance | IK10 |
| Frequency | 50/60 Hz | Terminal tightening capacity | 2,5-50 mm ² flexible cables - 2,5-70 mm ² rigid cables |
| Operating temperature | -25 +40 °C | Protection | MCB |
| Electrocod | 2221 | Glow wire test | 850 °C (Socket) - 960 °C (Case) |
| Colour | Yellow | Circuit breaker | 125A 25 kA C characteristic |
| Rated current (A) | 125 | Reference h | 4 |
| Rated voltage | 100-130 V | Type of use | Heavy duty |

DIMENSIONAL

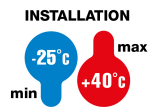


TECHNICAL SYMBOLOGY



IP
IP66

IK
IK10



GWT

850 °C (Socket) -
960 °C (Case)

STANDARDS/APPROVALS

