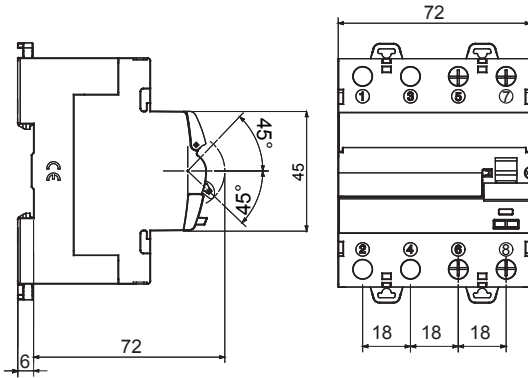




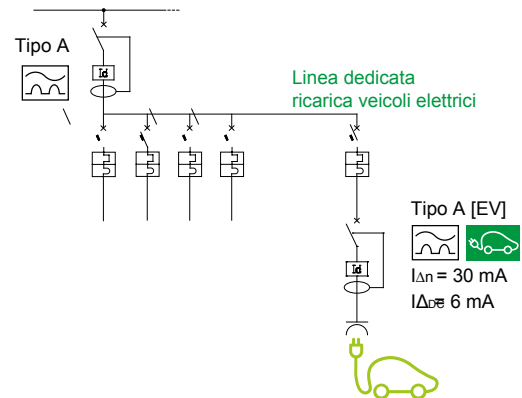
Description	RESIDUAL CURRENT CIRCUIT BREAKER
Code	IDP
No. of poles	2P
No. modules	4
Rated current	40 A
Rated residual operating current	30 mA
Direct current residual current	6 mA
Type	Type A[EV] (Electric Vehicle)
Application	Electrical vehicle charger

Rated voltage (EN/IEC 61008-1, 61008-2-1)	230/240 V	Standard	IEC 62955 (RDC-PD) IEC/EN 61008-1, IEC/EN 61008-2-1(RCCB)
Rated frequency (Hz)	50/60 Hz	Insulation voltage (Ui)	500 V
Rated impulse withstand voltage (Uimp)	4 kV	Overtoltage category	III
Level of immunity (8/20 μs)	3000 A	Section rigid cable	<=1x35 - <=2x16 - <=1x16+2x10 mm²
Section flexible cable	<=1x35 - <=2x16 - <=1x16+2x10 mm²	Rated tightening torque	3 Nm
Double connection	YES (up stream and down stram)	Operating temperature	-25 +60 °C
Stocking temperature	-40 +70 °C	Electrical endurance	≥ 10.000
Mechanical endurance	≥ 20000	Auxiliaries compatibility	Yes
ReStart compatibility	Yes	Assembly position	Any

### DIMENSIONAL



### WIRING DIAGRAM



### STANDARDS/APPROVALS

