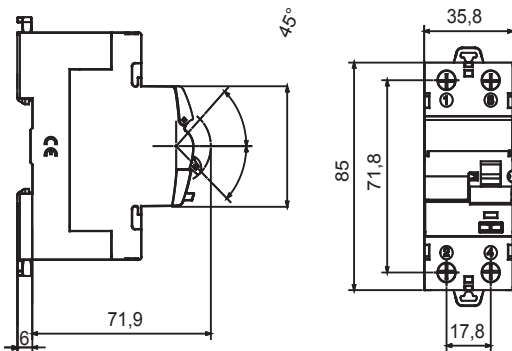




|   |                                  |
|---|----------------------------------|
| Description                               | RESIDUAL CURRENT CIRCUIT BREAKER |
| Code                                      | IDP                              |
| No. of poles                              | 2P                               |
| No. modules                               | 2                                |
| Rated current                             | 25 A                             |
| Rated residual operating current          | 300 mA                           |
| Type                                      | A[IR]                            |
| Rated voltage (EN/IEC 61008-1, 61008-2-1) | 230/240 V                        |

|                           |   |  |   |
|---------------------------|---|--|---|
| Standard                  | IEC/EN 61008-1, IEC/EN 61008-2-1              | Rated frequency (Hz)                   | 50/60 Hz                                      |
| Insulation voltage (Ui)   | 500 V   | Rated impulse withstand voltage (Uimp) | 4 kV  |
| Overvoltage category      | III   | Level of immunity (8/20 μs)            | 250 A   |
| Section rigid cable       | <=1x35 - <=2x16 - <=1x16+2x10 mm <sup>2</sup> | Section flexible cable                 | <=1x35 - <=2x16 - <=1x16+2x10 mm <sup>2</sup> |
| Rated tightening torque   | 3 Nm  | Double connection                      | YES (up stream and down stream)               |
| Operating temperature     | -25 +60°C ( 40°C with derating)               | Stocking temperature                   | -40 +70 °C                                    |
| Electrical endurance      | 10.000  | Mechanical endurance                   | 20.000  |
| Auxiliaries compatibility | Yes   | ReStart compatibility                  | Yes   |
| Assembly position         | Any   |  |   |

### DIMENSIONAL



### WIRING DIAGRAM



### STANDARDS/APPROVALS

