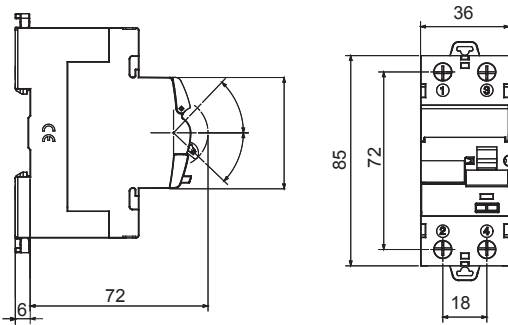




| Description | RESIDUAL CURRENT CIRCUIT BREAKER |
|---|----------------------------------|
| Code | IDP |
| No. of poles | 2P |
| No. modules | 2 |
| Rated current | 63 A |
| Rated residual operating current | 500 mA |
| Type | AC |
| Rated voltage (EN/IEC 61008-1, 61008-2-1) | 230/240 V |

| | | | |
|---------------------------|---|--|---|
| Standard | IEC/EN 61008-1, IEC/EN 61008-2-1 | Rated frequency (Hz) | 50/60 Hz |
| Insulation voltage (Ui) | 500 V | Rated impulse withstand voltage (Uimp) | 4 kV |
| Overvoltage category | III | Level of immunity (8/20 μs) | 250 A |
| Section rigid cable | <=1x35 - <=2x16 - <=1x16+2x10 mm ² | Section flexible cable | <=1x35 - <=2x16 - <=1x16+2x10 mm ² |
| Rated tightening torque | 3 Nm | Double connection | YES (up stream and down stream) |
| Operating temperature | -25 +60°C (40°C with derating) | Stocking temperature | -40 +70 °C |
| Electrical endurance | ≥ 10.000 | Mechanical endurance | ≥ 20000 |
| Auxiliaries compatibility | Yes | ReStart compatibility | Yes |
| Assembly position | Any | | |

DIMENSIONAL



WIRING DIAGRAM



STANDARDS/APPROVALS

