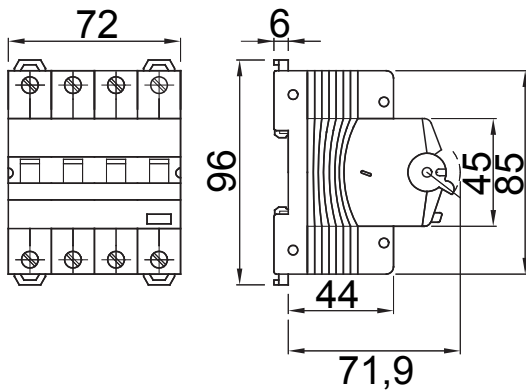




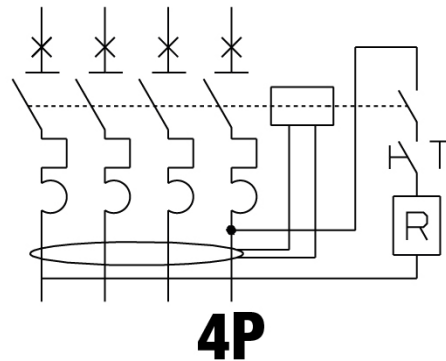
|                                           |                                  |
|-------------------------------------------|----------------------------------|
| Description                               | RCCB WITH OVERCURRENT PROTECTION |
| Code                                      | MDC 60                           |
| No. of poles                              | 4P                               |
| No. modules                               | 4                                |
| Rated current                             | 10 A                             |
| Rated residual operating current          | 300 mA                           |
| Type                                      | A                                |
| Curve                                     | C                                |
| Rated voltage (IEC/EN 61009-1, 61009-2-1) | 400/415 V                        |
| Energy limiting class                     | 1                                |

|                                             |                                          |                                        |                                   |
|---------------------------------------------|------------------------------------------|----------------------------------------|-----------------------------------|
| Standard                                    | IEC/EN 61009-1, IEC/EN 61009-2-1         | Rated frequency (Hz)                   | 50/60 Hz                          |
| Breaking capacity IEC/EN 61009-1 400V (Icn) | 6000 A                                   | Breaking capacity IEC/EN 61009-1 (Ics) | 1 x Icn                           |
| Breaking capacity IEC/EN 60947-2 400V (Icu) | 6 kA                                     | Breaking capacity IEC/EN 60947-2 (Ics) | 100% Icu                          |
| Insulation voltage (Ui)                     | 500 V                                    | Level of immunity (8/20 μs)            | 250 A                             |
| Rated impulse withstand voltage (Uimp)      | 4 kV                                     | Overvoltage category                   | III                               |
| Electrical endurance                        | 10.000                                   | Mechanical endurance                   | 20.000                            |
| Section rigid cable                         | <=1x35 - <=2x16 - <=1x16+2x10 mm²        | Section flexible cable                 | <=1x35 - <=2x16 - <=1x16+2x10 mm² |
| Double connection                           | YES (only down stream)                   | Rated tightening torque                | 2 Nm                              |
| Operating temperature                       | -25 +60° C (derating of In with T>30° C) | Stocking temperature                   | -40°C ÷ +70°C                     |
| Auxiliaries compatibility                   | Yes                                      | ReStart compatibility                  | Yes                               |
| Assembly position                           | Any                                      |                                        |                                   |

### DIMENSIONAL



### WIRING DIAGRAM



### STANDARDS/APPROVALS

