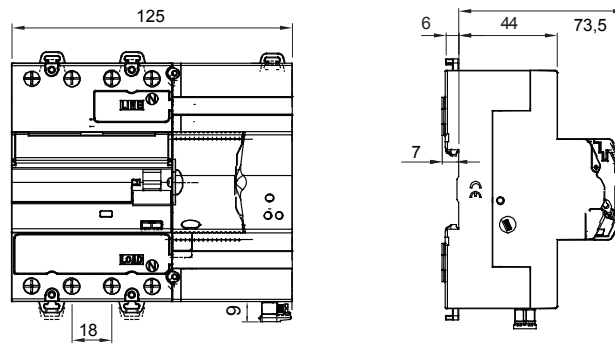




Description Automatic reclosing device  
 Code ReStart Autotest PRO 4P  
 Rated voltage AC 400 V  
 Rated current 63 A  
 No. modules 7  
 Standard EN 50557, EN 61008-1  
 Rated frequency (Hz) 50Hz  
 Distribution system TT - TN-S

|   |                                |   |                       |
|---|--------------------------------|---|-----------------------|
| Rated non-operating resistance between live parts and earth (Rdo) | 8kΩ                            | Insulation voltage (Ui)                                 | 500 V                 |
| Rated operating resistance between live parts and earth (Rd)      | 16 kΩ                          | Rated impulse withstand voltage (Uimp)                  | 4 kV                  |
| Maximum operating frequency                                       | 30 oper./h                     | Overvoltage category                                    | III                   |
| Mechanical endurance  | 4000                           | Dielectric strength test voltage between pole and earth | 2500 Vac for 1 minute |
| Type of residual current protection                               | A[IR]                          | Rated residual operating current                        | 30 mA                 |
| Operating temperature   | -25 +60 °C                     | Stocking operating temperature                          | -40°C ÷ +70°C         |
| Type of contacts  | Photomos (potential free)      | Voltage operating                                       | 5-230 V ac/dc         |
| Current operating   | 0.6mA (min)-100mA cosφ=1 (max) | Operating frequency                                     | 50 Hz                 |
| Use category  | AC12                           | Operating modes   | NO/NC/NC + pulse      |
| Rated tightening torque   | 0,4 Nm                         | Terminal section  | ≤ 2,5 mm²             |
| Automatic reclosure for untimely tripping                         | Yes                            | Earth failure test                                      | Yes                   |
| Continuous system monitoring                                      | Yes                            | Autotest (automatic RCCB protection test)               | Yes                   |
| Completeable with   | GW90992 RS485 BUS Module       | Number of poles   | 4P                    |
| Electrocod  | 1414                           |   |                       |

### DIMENSIONAL



### STANDARDS/APPROVALS





Product Data Sheet

GW90923

90 ReStart Range