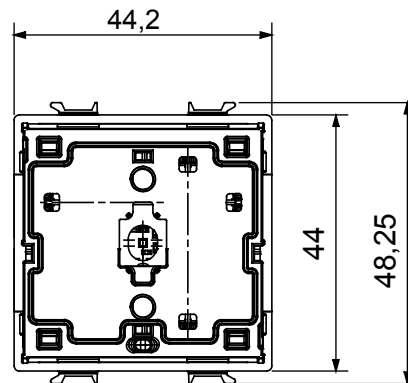
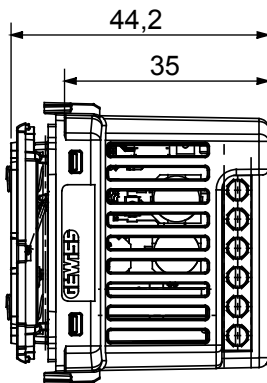


Wireless connected device with Zigbee protocol from the ChoruSmart system that can be with Home Gateway for "CONNECTED SMART HOME" solutions, for residential and small offices, both for new builds and renovations. Zigbee technology is a secure and reliable technology in which data is encrypted and every node in the network ensures reachability across all devices (mesh network).

| | | | |
|---|--|--|--|
| Output contacts | 1 NO / NC 2 A (AC1) 240 V ac | Power supply | 100 ± 240 V ac - 50/60 Hz |
| No. of channels | 0 | No. modules | 2 |
| No. output channels | 1 | Radio connections | Zigbee (IEEE 802.15.4) |
| Standard | 2014/53/EU, 2011/65/EU + 2015/863, EN 60669-2-1, EN 60669-1, EN 301 489-1, EN 301 489-17, EN 300 328, EN IEC 63000 | Working temperature | -5 ÷ +45 °C |
| Relative humidity (non-condensative) | Max 93% | Power output Zigbee | 10 dBm |
| Dispersible max power (W) | 2,6 | Wiring terminals | With screw |
| Terminal tightening capacity stranded cables (mm ²) | Max. 1,5 | Terminal tightening capacity solid cables (mm ²) | Max. 1,5 |
| Category | Axial 2-way switch connected | No. input channels | 2 (for local command replication or sending additional Zigbee commands) |
| Input voltage | Mains supply voltage | IP degree | IP20 (with button key) |
| 240 V ac Incandescent-halogen lamps | 4-500 W | 240 V ac LED lamps | 4-100 W |
| Loads piloted from electronic transf. 240 V ac | 4-250 VA | LED colour | Blue |
| Local control | Via front push button (to complete with button key) | Power supply of EGO SMART plate | Yes |
| Zigbee control extension if installed in an EGO SMART plate (if Zigbee command) | Yes | Functions | Timed load control, indicative measurement of active power and consumed energy |

DIMENSIONAL



TECHNICAL SYMBOLOGY

IP

IP20 (with button key)

STANDARDS/APPROVALS

