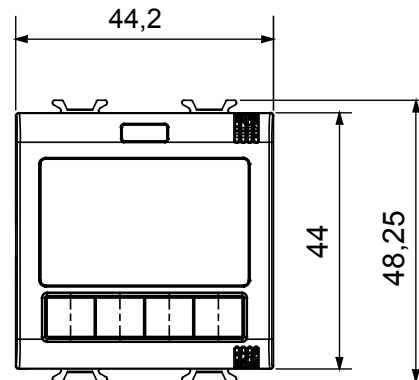
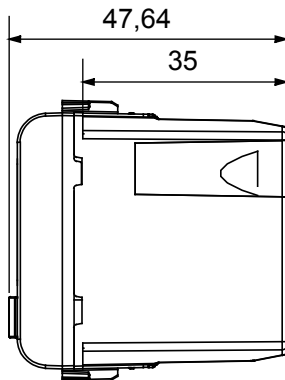




Wireless connected device with Zigbee protocol from the ChoruSmart system that can be with Home Gateway for "CONNECTED SMART HOME" solutions, for residential and small offices, both for new builds and renovations. Zigbee technology is a secure and reliable technology in which data is encrypted and every node in the network ensures reachability across all devices (mesh network).

Colour	Satin White	Output contacts	1 NO / NC 5A (AC1) 240 V ac
Power supply	100 ÷ 240 V ac - 50/60 Hz	No. modules	2
Radio connections	Zigbee (IEEE 802.15.4)	Standard	2014/53/EU, 2011/65/EU + 2015/863, EN 60730-1, EN 60730-2-7, EN 60730-2-9, EN 301 489-1, EN 301 489-17, EN 300 328, EN IEC 63000
Working temperature	-5 ÷ +45 °C	Relative humidity (non-condensative)	Max 93%
Power output Zigbee	10 dBm	Wiring terminals	With screw
Terminal tightening capacity stranded cables (mm <sup>2</sup> )	Max. 1,5	Terminal tightening capacity solid cables (mm <sup>2</sup> )	Max. 1,5
Category	Thermostat	IP degree	IP20
Measured sizes	Temperature, humidity	Functions	Heating and cooling control; algorithms for 2-way systems: two-point (On/Off) and proportional integral (PWM).
Type of display	LCD		

### DIMENSIONAL



### TECHNICAL SYMBOLOGY

**IP**

IP20

### STANDARDS/APPROVALS

