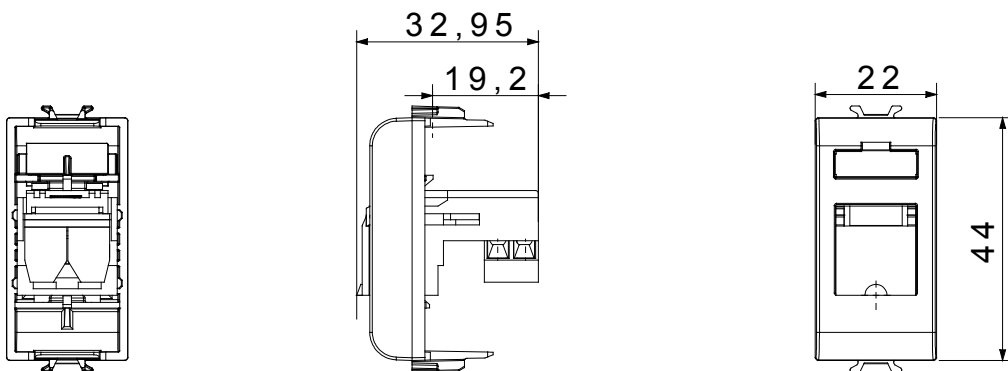




A range of ChoruSmart modular devices and plates made of antibacterial technopolymer in a glossy white finish, suitable for use in hospitals, nursing homes, schools and wherever cleanness and hygiene are essential. The effective silver-ion antibacterial treatment can reduce bacterial growth by 99% within 24 hours and has been verified by certified laboratory testing in accordance with standard ISO 22196 (analysis of major strains of Staphylococcus aureus and E. coli bacterial species).

Category	Telephone socket-outlet	Description	RJ11
Colour	Glossy white	Connection	Screw-on terminals
Standard	ISO 22196	No. modules	1
Electrocod	3720	Material	Antibacterial tecnopolymer

DIMENSIONAL



STANDARDS/APPROVALS

