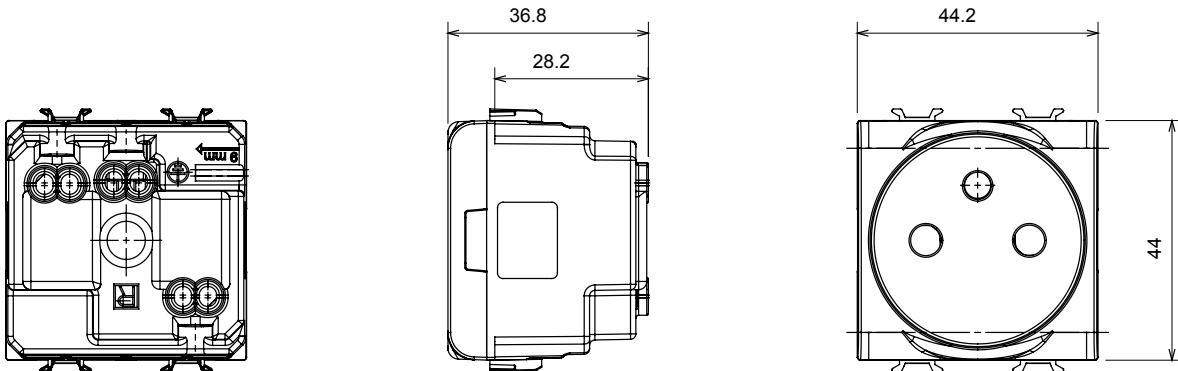


A range of ChoruSmart modular devices and plates made of antibacterial technopolymer in a glossy white finish, suitable for use in hospitals, nursing homes, schools and wherever cleanness and hygiene are essential. The effective silver-ion antibacterial treatment can reduce bacterial growth by 99% within 24 hours and has been verified by certified laboratory testing in accordance with standard ISO 22196 (analysis of major strains of Staphylococcus aureus and E. coli bacterial species).

| | | | |
|--|--------------------------|---|--------------------------------|
| Category | Socket-outlet | Description | 2P+E - 16A |
| Colour | Glossy white | Voltage | 250 V ac |
| Standard | French | Characteristics | With safety shields |
| For plug pins | Ø 4 / 4.8 mm | Wiring terminals | With screw |
| Standard | IEC 60884-1; NF C 61-314 | Resistance at test voltage | 2000 V at 50 Hz for 1 minute |
| Insulation resistance | > 5 MOhm | Prolonged operation socket (no.of position changes) | 10.000 at In 250 V ac cosφ=0,8 |
| Thermo-pressure with ball | 125 °C | Glow Wire Test | 850 °C |
| Terminal grip on cable traction | > 50 N | Terminal tightening capacity stranded cables (mm ²) | min. 0,75 - max. 2x4 |
| Terminal tightening capacity solid cables (mm ²) | min. 0,5 - max. 2x2,5 | No. modules | 2 |
| Electrocod | 0131 | Material | Antibacterial tecnopolymer |

DIMENSIONAL



TECHNICAL SYMBOLOGY



STANDARDS/APPROVALS

