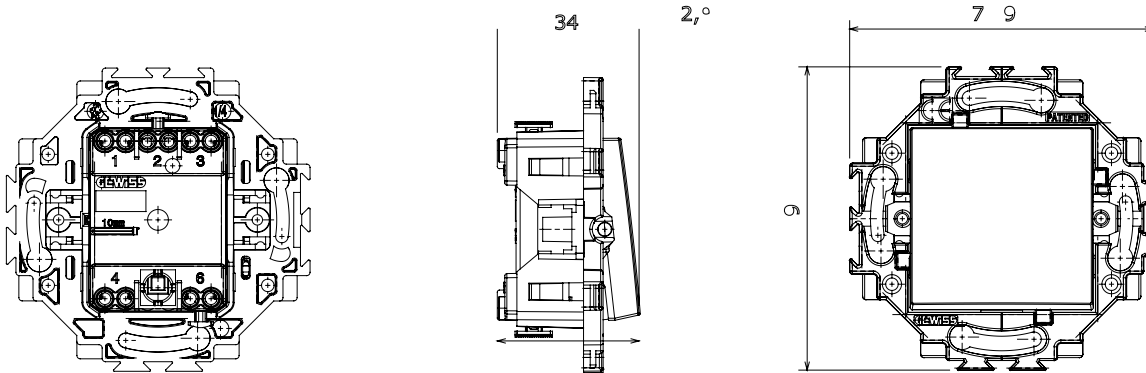


Residential series suitable for installations on round and square boxes, characterised by an elegant appearance and classic shapes. The plates, made of technopolymer in seven colours and with different modularities, from 1 to 5-gang, can be installed in both horizontal and vertical positions. The series, developed around a core of monobloc devices, is available in two colours: white and ivory, both with a glossy finish. Expandable with ChorusSmart modular devices.

Category	2 gang two-way switch	Button key	Neutral
Colour	White	Material	Technopolymer
Finishing	Glossy	Description	Double 1P - 10 AX
Voltage	250 V ac	Type of terminals	Screwless
Fixing	With screw	Glow wire test	850 °C
Thermo-pressure with ball	125 °C	Resistance at test voltage	2000 V at 50 Hz for 1 minute
Insulation resistance	> 5 MOhm	Prolonged operation switch (no. of position changes)	40.000 at In 250 V ac cosφ=0,6
Terminal grip on cable traction	30 N	Terminal tightening capacity	0,5-2x2,5 mm ² rigid cables
Standard	EN 60669-1; 2014/35/EU	Accessories supplied	Protective cover for painting
Versions	Dahlia PRO		

DIMENSIONAL



TECHNICAL SYMBOLOGY



STANDARDS/APPROVALS

