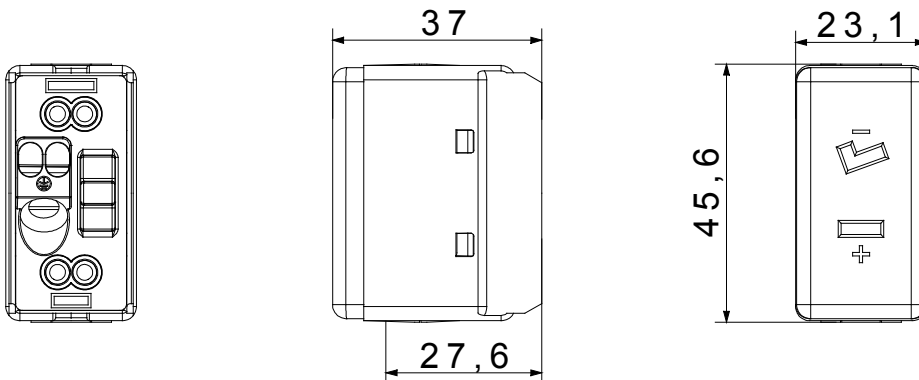




The System modular devices make it possible to create infinite combination between devices and plates, thanks to a complete range that is able to satisfy all design, functional and installation requirements. Colour and finiture: glossy white, bright and versatile
The range includes commands, socket- outlets, protection, indicators, connectors and devices for the control, safety and comfort of your home.

| | | | |
|---|----------------------|--|-------------------------|
| Category | - | Description | 2P - 6A - 24V polarized |
| For plug pins | Flat | Centre distance | 12.4 mm |
| Thermo-pressure with ball | 125 °C | Glow Wire Test | 850 °C |
| Terminal tightening capacity stranded cables (mm ²) | min. 0,75 - max. 2x4 | Terminal tightening capacity solid cables (mm ²) | min. 0,5 - max. 2x2,5 |
| Colour | White | No. SYSTEM modules | 1 |
| Cable fixing | With screw | Material | Technopolymer |
| Electrocod | 0131 | | |

DIMENSIONAL



TECHNICAL SYMBOLOGY



STANDARDS/APPROVALS

