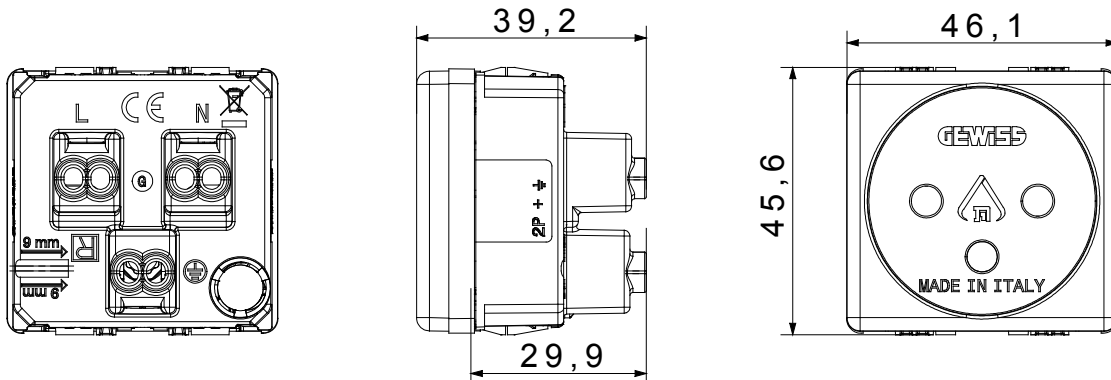




The System modular devices make it possible to create infinite combination between devices and plates, thanks to a complete range that is able to satisfy all design, functional and installation requirements. Colour and finish: glossy white, bright and versatile
Ideal for flush-mounting solutions (for rectangular or square boxes), surface-mounting solutions, and for special applications. The range includes commands, socket-outlets, protection, indicators, connectors and devices for the control, safety and comfort of your home.

| | | | |
|--|-----------------------------|---|--------------------------------|
| Category | Socket-Outlet | Description | 2P+E - 16A |
| Colour | White | Voltage | 250 V ac |
| Earth pit | - | Standard | Israeli |
| Characteristics | With safety shields | For plug pins | Round Ø 4 / 4.4 mm |
| Wiring terminals | With screw | Type | - |
| Standard | IEC 60884-1; SI 32 part 1.1 | Resistance at test voltage | 2000 V at 50 Hz for 1 minute |
| Insulation resistance | > 5 MOhm | Prolonged operation switch (no.of position changes) | 10.000 at In 250 V ac cosφ=0,8 |
| Thermo-pressure with ball | 125 °C | Glow Wire Test | 850 °C |
| Terminal grip on cable traction | > 50 N | Terminal tightening capacity stranded cables (mm ²) | min. 0,75 - max. 2x4 |
| Terminal tightening capacity solid cables (mm ²) | min. 0,5 - max. 2x2,5 | No. SYSTEM modules | 2 |
| Material | Technopolymer | Electrocod | 0131 |

DIMENSIONAL



TECHNICAL SYMBOLOGY



STANDARDS/APPROVALS

