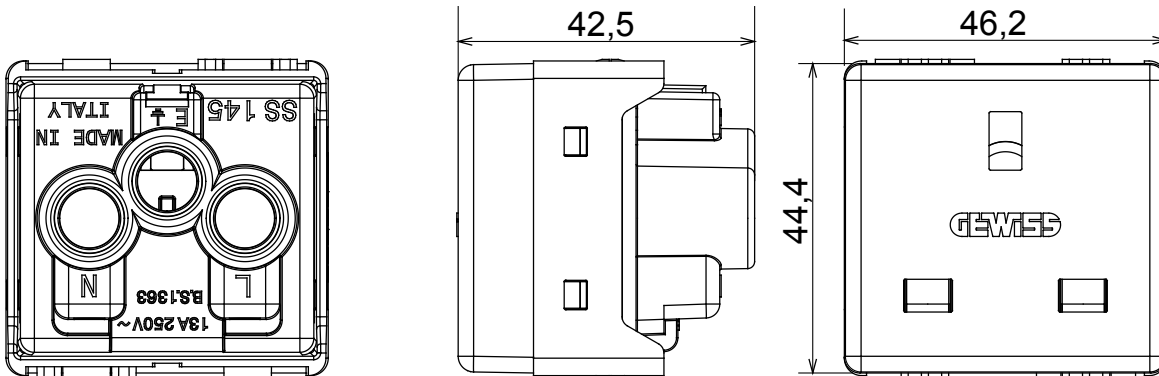




The System modular devices make it possible to create infinite combination between devices and plates, thanks to a complete range that is able to satisfy all design, functional and installation requirements. Colour and finiture: glossy white, bright and versatile  
Ideal for flush-mounting solutions (for rectangular or square boxes), surface-mounting solutions, and for special applications. The range includes commands, socket-outlets, protection, indicators, connectors and devices for the control, safety and comfort of your home.

|   |                              |  |                                |
|---|------------------------------|--|--------------------------------|
| Category  | Socket-Outlet                | Description  | 2P+E - 13 A                    |
| Colour  | White                        | Voltage  | 250 V ac                       |
| Earth pit   | -                            | Standard   | UK                             |
| Characteristics   | With screw                   | For plug pins  | Flat                           |
| Wiring terminals  | Screw-on terminals           | Standard   | IEC 60884-1; BS 1363-2         |
| Resistance at test voltage                                      | 2000 V at 50 Hz for 1 minute | Prolonged operation switch (no.of position changes)                | 10.000 at In 250 V ac cosφ=0,8 |
| Thermo-pressure with ball                                       | 125 °C                       | Glow Wire Test   | 850 °C                         |
| Terminal grip on cable traction                                 | > 50 N                       | Terminal tightening capacity<br>stranded cables (mm <sup>2</sup> ) | min. 0,75 - max. 2x4           |
| Terminal tightening capacity<br>solid cables (mm <sup>2</sup> ) | min. 0,5 - max. 2x2,5        | No. SYSTEM modules   | 2                              |
| Material  | Technopolymer                | Electrocod   | 0131                           |

### DIMENSIONAL



### TECHNICAL SYMBOLOGY



### STANDARDS/APPROVALS

