



Beschreibung Interruttore automatico scatolato

Artikelnr. MSXE 1250

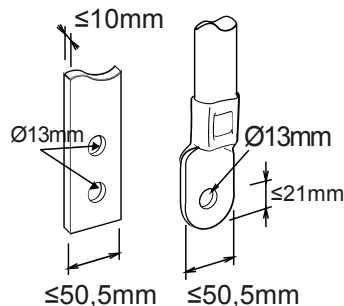
Anz. Pole 4P

Bemessungs- strom 1250 A

Auslöser elektronisch

| ELECTRICAL CHARACTERISTICS | | MECHANICAL CHARACTERISTICS | |
|---|--|-----------------------------------|----------------|
| Norm | IEC/EN 60947-2 | Ausführung | Fest |
| Kategorie | B | DIN rail mounting | Nein |
| Bemessungs- frequenz (Hz) | 50 / 60 | Accessoriabile con comando motore | Si |
| Rated operating voltage (Ue) | 690 Vac | Compatible interlock | - |
| Bemessungsstoß- spannungsfestigkeit (Uimp) | 8 kV | Terminals supplied | Rückseitige RC |
| Überspannungs- kategorie | IV | Position Montage | Jeder |
| Isolationsspannung (Ui) | 800 V | Upline/downline power supply | Si |
| Thermal regulation | 0,4 - 0,5 - 0,63 - 0,8 - 0,9 - 0,95 - 1 x In | Electrical life (415Vac) | 4.000 cycles |
| Magnetic regulation | Electronic LSI | Mechanical life | 5.000 cycles |
| Neutral protection | 50% - 100% x Ir | Betriebstemperatur | -5°C +65°C |
| Total power loss | 281.24 W | Lagertemperatur | -20° +65° |
| Rated short-circuit current making capacity (Icm) | - | Gewicht (kg) | 25 |
| Rated short-time withstand current for 0,3s (Icw) | 15 kA | Breite | 280 mm |
| I _{dn} regulation | - | Höhe | 370 mm |
| DT regulation | - | Tiefe | 120 mm |
| SERVICE BREAKING CAPACITY (ICU) | | RATED BREAKING CAPACITY (ICS) | |
| 220/240Vac | 85 kA | 220/240Vac | 65 kA |
| 400/415Vac | 50 kA | 400/415Vac | 38 kA |
| 440Vac | 45 kA | 440Vac | 34 kA |
| 525Vac | 30 kA | 525Vac | 23 kA |
| 690Vac | 20 kA | 690Vac | 15 kA |
| 250Vdc | - | 250Vdc | - |

Abmessungen





Produktdatenblatt

GWD9416

Baureihe MSX

Normen / Richtlinien

