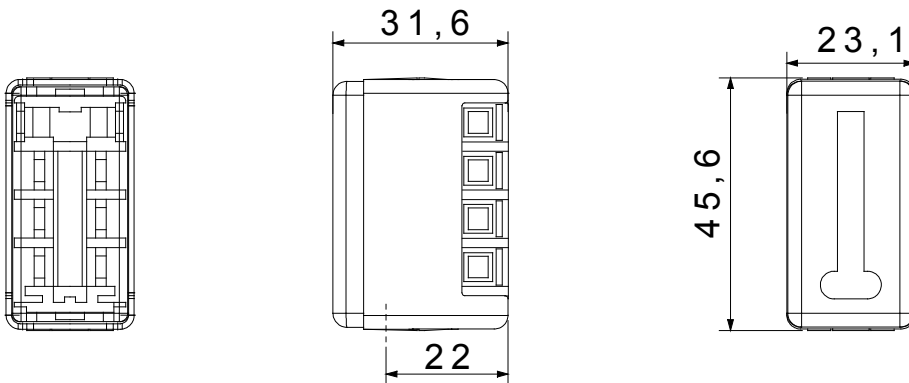




The System modular devices allow the creation of infinite combinations of devices and plates, through a complete range that covers all design, functional and installation needs. Colours and finishes: satin black, elegant and classy. The range includes control units, socket-outlets, breakers, indicators, connectors and devices for the control, safety and comfort of your home.

Kategorie	Daten- und Audio-/Videodosen	Beschreibung	Französisch 8 Kontakte
Farbe	Schwarz	Standard	Französisch
Typ Kabel	-	Anschluss	Schraubklemmen
Anz. SYSTEM Module	1	Material	Technopolymer
Electrocod	3722		

Abmessungen



Normen / Richtlinien

