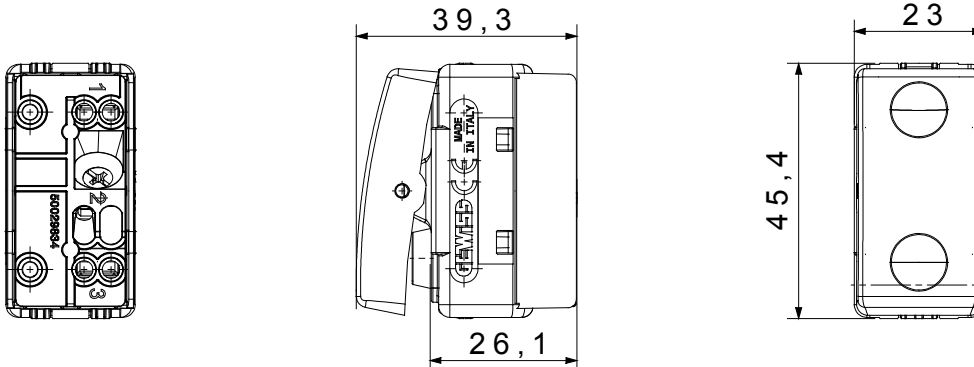




The System modular devices make it possible to create infinite combination between devices and plates, thanks to a complete range that is able to satisfy all design, functional and installation requirements. Colour and finiture: glossy white, bright and versatile  
Ideal for flush-mounting solutions (for rectangular or square boxes), surface-mounting solutions, and for special applications. The range includes commands, socket- outlets, protection, indicators, connectors and devices for the control, safety and comfort of your home.

|   |                                       |  |                       |
|---|---------------------------------------|--|-----------------------|
| Kategorie   | Ausschalter                           | Taster                                 | Neutral               |
| Symbol  | -                                     | Farbe                                  | Weiss                 |
| Beschreibung                                      | 1P - 16 AX                            | Spannung                               | 250 V ac              |
| Kontroll- leuchte                                 | -                                     | Norm                                   | EN 60669-1            |
| Widerstand bei Prüfspannung                       | 2000 V bei 50 Hz für 1 Minute         | Leistung LED Lampen 230V               | 200 W                 |
| Isolationswiderstand                              | > 5 MOhm                              | Anschlussklemmen                       | Mit Schrauben         |
| Anzahl Betätigungen<br>(Änderung Schaltstellung). | 40.000 bei In 250 V ac $\cos\phi=0,6$ | Kugeldruckprüfung                      | 125 °C                |
| Glühdrahtprüfung                                  | 850 °C                                | Haltekraft Klemme                      | > 50 N                |
| Anschluss<br>feindrähtig (mm <sup>2</sup> )       | min. 0,75 - max. 2x4                  | Anschluss<br>massiv (mm <sup>2</sup> ) | min. 0,5 - max. 2x2,5 |
| Anz. SYSTEM Module                                | 1                                     | Material                               | Technopolymer         |
| Electrocod  | 0130                                  |  |                       |

### Abmessungen



### Technische Symbole



### Normen / Richtlinien

