



Wall-mounting thermostat to control heating/cooling and humidification/dehumidification systems and manage the temperature in manual mode or on 3 levels (comfort, pre-comfort, economy). Control algorithms for two-way systems: two points (ON/OFF), proportional integral (PWM). Includes 2 output contacts for heating, cooling or humidity control. Includes 1 input for external NTC temperature sensor (for room temperature measurement compensation or for underfloor heating protection). Equipped with a user interface with touch controls (capacitive) on technopolymer plate and backlit display. The thermostat has built-in proximity, temperature and humidity sensors and a Wi-Fi interface for setting parameters and programming temperature profiles (timed thermostat function) locally or remotely via specific apps (smartphone and tablet).

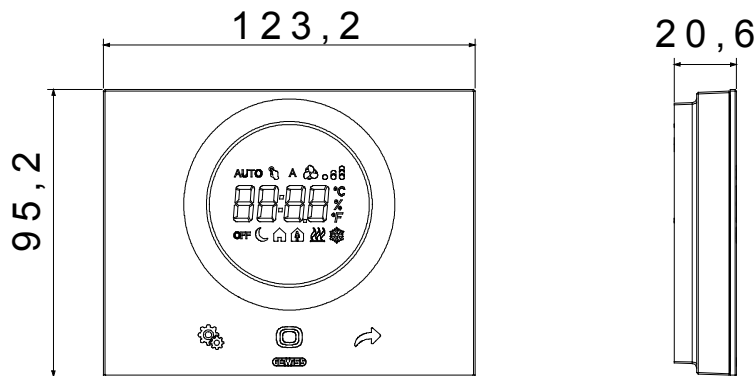
The device can be used:

- as an independent intelligent thermostat (in a stand-alone way), i.e. without the need for a Smart Home system, in this case the configuration and control of the device takes place via the "ThermoICE 2.0" APP;
- integrated into the Gewiss "Connected Smart Home" system, in this case the device can interoperate with all the other devices of the "Connected Smart Home" system and is configured and controlled together with all the other functions of the system via the "Home Gateway" APP.

Wall-mounting installation with wall-plugs or on 3-modules rectangular boxes (centre distance 83.5 mm). Equipped with front plate. Plate material: technopolymer.

| | | | |
|----------------------------------|---|---|--|
| Kategorie | Thermostat Thermo ICE | Kommunikation | Wifi |
| Farbe | Titan | Material | Front plate in technopolymer |
| Installation | Wandmontage | Spannungsversorgung | 110-230V ac - 50/60Hz |
| Current absorbed by power supply | < 3 W (in stand-by < 1 W) | Schnittstellen | Wi-Fi 2.4GHz IEEE 802.11 b/g/n |
| Gemessene Größen | Temperature, humidity, one additional input for external NTC temperature sensor | Anzahl Ausgangskanäle | 2 NO potential free |
| Ausgangs- kontakt | Max switching current at 250Vac: 6A (cosΦ = 1); 1,5A (cosΦ = 0,6) | Anzahl Eingangskanäle | 1 for external NTC sensor (type: NTC 10K, es. GW 10 800) |
| Eingangs- spannung | - | Anschlussklemmen | Mit Schrauben |
| Anschluss feindrähtig (mm²) | Max 1,5 mm² | Anschluss massiv (mm²) | Max 1,5 mm² |
| Betriebs- temperatur | -5 ÷ +45 °C | Relative Luftfeuchtigkeit (nicht kondensierend) | Max 93% |
| Lagertemperatur | -25 ÷ +70 °C | Abmessungen BxHxT (mm) | 123,2x95,2x20,6 |
| Schutzart | IP20 | Norm | Directive RoHS 2011/65/EU + 2015/863 Directive RED 2014/53/EU EN 60730-2-9; EN 60730-2-7; EN 60730-1; EN 301 489-1; EN 301 489-17; EN 300 328; EN IEC 63000 |

Abmessungen



Technische Symbole

IP

IP20

