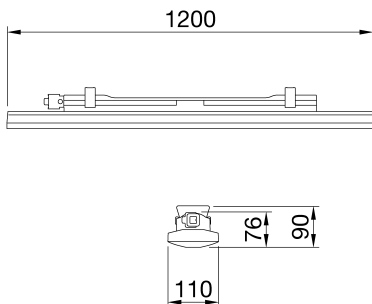




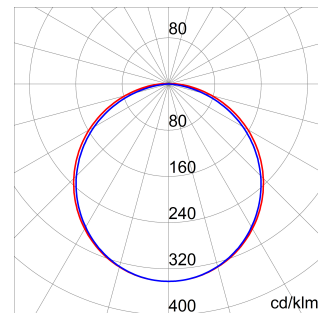
Smart [3]e is a watertight fixture IP66/69 with Mid power LED with wire bonding, available in 4000K,5700K, with CRI ≥80. IK08 body in RAL7035 colored self-exhausting polycarbonate, for industrial applications and ideal for production areas, warehouses, logistics areas and design to replace fluorescent devices and lowbay up to 6,500lm. Available in sizes 800 e 1200mm, powers from 34W to 52W, flux range from 3.700lm to 6.300lm, with integrated Power On/Off and 2 different optical solutions UV-stabilized self-extinguishing polycarbonate, in opal or transparent finish. The version with passing wiring has mechanical and electrical connection components prewired, with up to 25 fixtures installed in a continuous row. The device can be hung or wall mounted and is available a GW bracket accessories with a tilt of 30° or 45° on the vertical axis. Available also with an emergency kit version.

GENERAL INFORMATION		OPTIC AND ILLUMINATING FEATURES	
Context	Lighting of warehouses, indoor parking and industrial production rooms	Optic	Wide opal
Luminaire	LED fixture for general lighting	Unified Glare Rating	UGR ≤ 25 (4H/8H)
Application	Internal	Lumen output (lm)	6000
Unique digital code (Datamatrix)	Datamatrix	Efficacy (lm/W)	115
Colour	Grey RAL 7035	Colour temperature	4000 K
Type of light source	LED	Colour Rendering Index	CRI>80
System power	52 W	Standard Deviation Colour Matching	SDCM = 3
LED Lifetime	L80B20(Tq25°C)=90.000h - L80B20 (Tq40°C)=50.000h	Photobiological Risk Class	-
Weight (kg)	2	Standard	EN60598-1; IEC 62778; IEC62471
Warranty	5 years	ELECTRICAL AND LIGHTING FEATURES	
Stocking temperature	-25 +80 °C	Supply voltage	220 - 240 V
Operating temperature	-25 +40 °C	Rated frequency (Hz)	50/60 Hz
MATERIALS		Driver	Included
Body	Polycarbonate	Driver failure rate	F10 = 90.000 h a Tq 25°C/F10= 50.000 h a Tq 40°C
Shield type	UV stabilised polycarbonate	Overvoltage protection	DM 1KV / CM 2KV
Optic	Integrated in the screen	Control System	Through wiring - On/Off
Gasket	CNC deposited sealant	INSTALLATION AND MAINTENANCE	
Locking Hook	-	Mounting and installation	Ceiling - Wallmounting - Suspension
External screw	-	Tilt	With fixing bracket
Colour	RAL7035 colored PC paste	Wiring	With GW connect watertight connector
STANDARDS AND APPROVALS		Fixing	Stainless steel support
Classification	-	Light source replaceability	Non-replaceable
Device with reduced surface temperature	Yes	Controlgear replaceability	Non-replaceable
DIN 18032-3 certification	Not available	Driver Box	Built-in
IPEA	-	Maximum surface exposed to the wind	-
Insulation class	II	-	-
IP degree	IP66/IP69	-	-
Mechanical resistance	IK08	-	-
Glow Wire Test	850 °C	-	-

DIMENSIONAL



PHOTOMETRIC DISTRIBUTION



TECHNICAL SYMBOLOGY



IP
IP66/IP69

IK
IK08

GWT
850 °C



Product Data Sheet
GWS3222EP840

SMART [3]e

STANDARDS/APPROVALS

