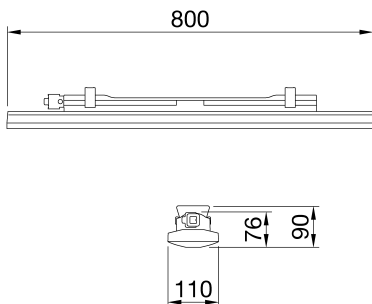




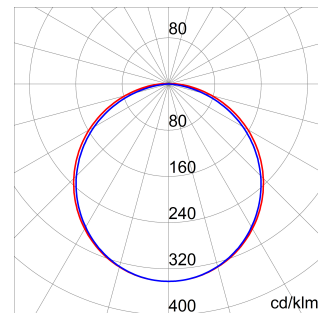
Smart [3]e is a watertight fixture IP66/69 with Mid power LED with wire bonding, available in 4000K,5700K, with CRI ≥80. IK08 body in RAL7035 colored self-exhausting polycarbonate, for industrial applications and ideal for production areas, warehouses, logistics areas and design to replace fluorescent devices and lowbay up to 6,500lm. Available in sizes 800 e 1200mm, powers from 34W to 52W, flux range from 3.700lm to 6.300lm, with integrated Power On/Off and 2 different optical solutions UV-stabilized self-extinguishing polycarbonate, in opal or transparent finish. The version with passing wiring has mechanical and electrical connection components prewired, with up to 25 fixtures installed in a continuous row. The device can be hung or wall mounted and is available a GW bracket accessories with a tilt of 30° or 45° on the vertical axis. Available also with an emergency kit version.

| GENERAL INFORMATION                     |  | OPTIC AND ILLUMINATING FEATURES        |  |
|---|--|--|--|
| Context                                 | Lighting of warehouses, indoor parking and industrial production rooms | Optic                                  | Wide opal  |
| Luminaire                               | LED fixture for general lighting                                       | Unified Glare Rating                   | UGR ≤ 25 (4H/8H)                                 |
| Application                             | Internal   | Lumen output (lm)                      | 3700   |
| Unique digital code (Datamatrix)        | Datamatrix   | Efficacy (lm/W)                        | 109  |
| Colour                                  | Grey RAL 7035  | Colour temperature                     | 5700 K   |
| Type of light source                    | LED  | Colour Rendering Index                 | CRI>80   |
| System power                            | 34 W   | Standard Deviation Colour Matching     | SDCM = 3   |
| LED Lifetime                            | L80B20(Tq25°C)=90.000h - L80B20 (Tq40°C)=50.000h                       | Photobiological Risk Class             | -  |
| Weight (kg)                             | 1.5  | Standard                               | EN60598-1; IEC 62778; IEC62471                   |
| Warranty                                | 5 years  | <b>ELETRICAL AND LIGHTING FEATURES</b> |  |
| Stocking temperature                    | -25 +80 °C   | Supply voltage                         | 220 - 240 V                                      |
| Operating temperature                   | -25 +40 °C   | Rated frequency (Hz)                   | 50/60 Hz   |
| <b>MATERIALS</b>                        |  | Driver                                 | Included   |
| Body                                    | Polycarbonate  | Driver failure rate                    | F10 = 90.000 h a Tq 25°C/F10= 50.000 h a Tq 40°C |
| Shield type                             | UV stabilised polycarbonate  | Overvoltage protection                 | DM 1KV / CM 2KV                                  |
| Optic                                   | Integrated in the screen   | Control System                         | Stand Alone - On / Off                           |
| Gasket                                  | CNC deposited sealant  | <b>INSTALLATION AND MAINTENANCE</b>    |  |
| Locking Hook                            | -  | Mounting and installation              | Ceiling - Wallmounting - Suspension              |
| External screw                          | -  | Tilt                                   | With fixing bracket                              |
| Colour                                  | RAL7035 colored PC paste   | Wiring                                 | With GW connect watertight connector             |
| <b>STANDARDS AND APPROVALS</b>          |  | Fixing                                 | Stainless steel support                          |
| Classification                          | -  | Light souce replaceability             | Non-replaceable                                  |
| Device with reduced surface temperature | Yes  | Controlgear replaceability             | Non-replaceable                                  |
| DIN 18032-3 certification               | Not available  | Driver Box                             | Built-in   |
| IPEA                                    | -  | Maximum surface exposed to the wind    | -  |
| Insulation class                        | II   | -                                      | -  |
| IP degree                               | IP66/IP69  | -                                      | -  |
| Mechanical resistance                   | IK08   | -                                      | -  |
| Glow Wire Test                          | 850 °C   | -                                      | -  |

### DIMENSIONAL



### PHOTOMETRIC DISTRIBUTION



### TECHNICAL SYMBOLOGY



IP

IP66/IP69

IK

IK08

GWT

850 °C



Product Data Sheet  
**GWS3120EP857**

SMART [3]e

STANDARDS/APPROVALS

