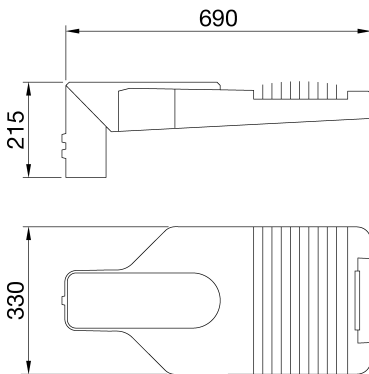




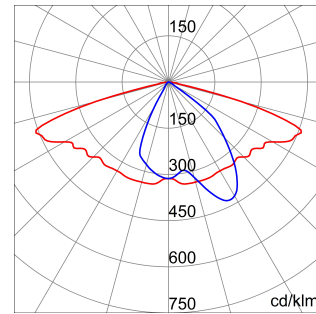
High-power LED streetlight with cover, frame, and pole attachment in EN AB 46100 die-cast aluminium with low copper content, with polyester powder coating. Suitable for installation both on top of the pole and offset, with 5° pitch adjustment. Opening and closing system with integrated front handle. Closure fabricated in tempered flat glass (thickness 4 mm). Cable input via PG13.5. Safety switch. Cable plate in PA6.6+PV. Printed Circuit Board (PCB) in metal core. Metallic PC optic system. Common mode surge protection up to 10 kV. Operational up to 50°C ambient temperature but with reduction of the supply current as indicated in the Instruction Manual.

Application	External	Series	Road [5]
Type	Stand alone	IP degree	IP66
Mechanical resistance	IK08	Insulation class	I
Tilt adjustable	-20° ÷ +10° side bracket -10° ÷ +20° pole head	Maximum surface exposed to the wind	0.19 m²
Operating temperature	-25 +40 °C	Minimum distance from the illuminated object	1 m
Voltage	220/240 V - 50/60 Hz - Stand alone	Lamp	LED
System power	151 W	Driver type	Constant Current Driver Led
Optic	W - ULOR: 0%	Colour temperature	5700 K (CRI>65)
LED current	1 A	Number of modules	4 (4x3 LED)
Nominal flux (lm)	20520	Lumen output (lm)	16520
LED Life Time (L80B05)	120000 h	Warranty	5 years
Weight (kg)	8.4	Overvoltage resistance	Common and differential mode: 10KV
Electrocod	244C		

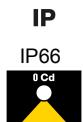
DIMENSIONAL



PHOTOMETRIC DISTRIBUTION



TECHNICAL SYMBOLOGY



STANDARDS/APPROVALS

