



ELIA FL is an LED floodlight, available in medium and high-power versions for outdoor and indoor applications in industrial, tertiary and sports contexts, such as façades, warehouses, car parks and sports fields. Available in 4 different sizes and power steps (50 W, 100 W, 150 W and 200 W), the range allows for great flexibility with its multiple possible combinations: 3 colour temperature options (3,000 K warm white, 4,000 K neutral white and 5,700 K cool white) with a colour rendering index of more than 80; 2 integrated power supply options (On/Off and DALI); and 2 optics options (60° and asymmetrical). The luminaire can be ceiling, wall or floor-mounted through the integrated adjustable steel bracket with a protractor, or pole-mounted (in poles with diameter up to 61 mm) through a dedicated accessory (to be ordered separately). Thanks to its black powder-coated die-cast aluminium body and its front glass, the fixture is tough, durable (IP66 and IK08) and is able to withstand harsh environmental conditions (such as ambient temperature variations from -30°C to +50°C).

### GENERAL INFORMATION

Context	Industry, logistics, facades, sporting facilities and outdoor area lighting
Luminaire	LED luminaire with mid and high lumen power
Application	Indoor / Outdoor
Unique digital code (Datamatrix)	Currently not present
Colour	Black
Type of light source	LED
System power	200 W
LED Lifetime	L80B50 (Tq=25°C) = 80.000 h
Weight (kg)	4.8
Warranty	5 years
Stocking temperature	-40° +80°
Operating temperature	-30°C ÷ +50 °C
<b>MATERIALS</b>	
Body	Die-cast aluminium
Shield type	Tempered 4mm-thick surface glass with Gewiss logo
Optic	High-efficiency lens and reflector unit
Gasket	-
Locking Hook	-
External screw	Stainless steel
Colour	Powder coating
<b>STANDARDS AND APPROVALS</b>	
Classification	-
Device with reduced surface temperature	-
DIN 18032-3 certification	Not available
IPEA	-
Insulation class	I
IP degree	IP66
Mechanical resistance	IK08
Glow Wire Test	750 °C

### OPTIC AND ILLUMINATING FEATURES

Optic	Asymmetrical
Unified Glare Rating	ULOR = 0%
Lumen output (lm)	27600
Efficacy (lm/W)	138
Colour temperature	5700 K
Colour Rendering Index	CRI 80
Standard Deviation Colour Matching	SDCM = 5
Photobiological Risk Class	RG1
Standard	EN 60598-1; EN 60598-2-5; IEC/TR 62778; EN 62493

### ELETRICAL AND LIGHTING FEATURES

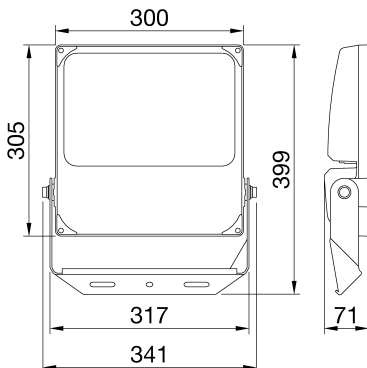
Supply voltage	220-240 V
Rated frequency (Hz)	50/60 Hz
Driver	Built-in
Driver failure rate	F10 (Tq=25°C) > 80.000 h
Overvoltage protection	DM 4 kV/ CM 4 kV

### INSTALLATION AND MAINTENANCE

Control System	ON / OFF
Mounting and installation	Floodlight mast - Ceiling - Wall - Ground
Tilt	Rotation on bracket with integrated goniometer
Wiring	With power cable
Fixing	Via integrated bracket
Light source replaceability	Non-replaceable
Controlgear replaceability	By professional
Driver Box	Built-in
Maximum surface exposed to the wind	0,095 m2

Controlgear replaceability	By professional
Driver Box	Built-in
Maximum surface exposed to the wind	0,095 m2
Controlgear replaceability	By professional
Driver Box	Built-in
Maximum surface exposed to the wind	0,095 m2
Controlgear replaceability	By professional
Driver Box	Built-in
Maximum surface exposed to the wind	0,095 m2

### DIMENSIONAL



### PHOTOMETRIC DISTRIBUTION

### TECHNICAL SYMBOLOGY





Product Data Sheet  
**GWF1100ZC857**

ELIA FL

STANDARDS/APPROVALS

