



ELIA FL is an LED floodlight, available in medium and high-power versions for outdoor and indoor applications in industrial, tertiary and sports contexts, such as façades, warehouses, car parks and sports fields. Available in 4 different sizes and power steps (50 W, 100 W, 150 W and 200 W), the range allows for great flexibility with its multiple possible combinations: 3 colour temperature options (3,000 K warm white, 4,000 K neutral white and 5,700 K cool white) with a colour rendering index of more than 80; 2 integrated power supply options (On/Off and DALI); and 2 optics options (60° and asymmetrical). The luminaire can be ceiling, wall or floor-mounted through the integrated adjustable steel bracket with a protractor, or pole-mounted (in poles with diameter up to 61 mm) through a dedicated accessory (to be ordered separately). Thanks to its black powder-coated die-cast aluminium body and its front glass, the fixture is tough, durable (IP66 and IK08) and is able to withstand harsh environmental conditions (such as ambient temperature variations from -30°C to +50°C).

GENERAL INFORMATION

Context	Industry, logistics, facades, sporting facilities and outdoor area lighting
Luminaire	LED luminaire with mid and high lumen power
Application	Indoor / Outdoor
Unique digital code (Datamatrix)	Currently not present
Colour	Black
Type of light source	LED
System power	100 W
LED Lifetime	L80B50 (Tq=25°C) = 80.000 h
Weight (kg)	2.6
Warranty	5 years
Stocking temperature	-40° +80°
Operating temperature	-30°C ± +50 °C
MATERIALS	
Body	Die-cast aluminium
Shield type	Tempered 4mm-thick surface glass with Gewiss logo
Optic	High-efficiency lens and reflector unit
Gasket	-
Locking Hook	-
External screw	Stainless steel
Colour	Powder coating
STANDARDS AND APPROVALS	
Classification	-
Device with reduced surface temperature	-
DIN 18032-3 certification	Not available
IPEA	-
Insulation class	I
IP degree	IP66
Mechanical resistance	IK08
Glow Wire Test	750 °C

OPTIC AND ILLUMINATING FEATURES

Optic	Asymmetrical
Unified Glare Rating	ULOR = 0%
Lumen output (lm)	12900
Efficacy (lm/W)	129
Colour temperature	3000 K
Colour Rendering Index	CRI 80
Standard Deviation Colour Matching	SDCM = 5
Photobiological Risk Class	RG1
Standard	EN 60598-1; EN 60598-2-5; IEC/TR 62778; EN 62493

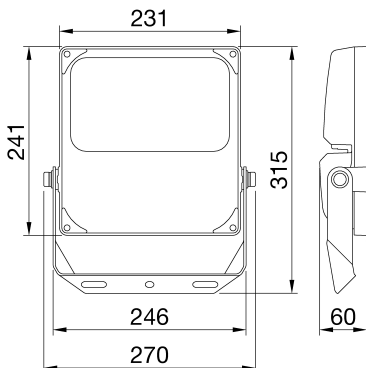
ELETRICAL AND LIGHTING FEATURES

Supply voltage	220-240 V
Rated frequency (Hz)	50/60 Hz
Driver	Built-in
Driver failure rate	F10 (Tq=25°C) > 80.000 h
Overvoltage protection	DM 4 kV/ CM 4 kV
Control System	ON / OFF

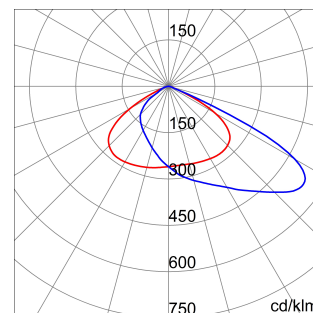
INSTALLATION AND MAINTENANCE

Mounting and installation	Floodlight mast - Ceiling - Wall - Ground
Tilt	Rotation on bracket with integrated goniometer
Wiring	With power cable
Fixing	Via integrated bracket
Light source replaceability	Non-replaceable
Controlgear replaceability	By professional
Driver Box	Built-in
Maximum surface exposed to the wind	0,055 m2
	Built-in

DIMENSIONAL



PHOTOMETRIC DISTRIBUTION



TECHNICAL SYMBOLOGY





Product Data Sheet
GWF1100NC830

ELIA FL

STANDARDS/APPROVALS

