



ELIA FL is an LED floodlight, available in medium and high-power versions for outdoor and indoor applications in industrial, tertiary and sports contexts, such as façades, warehouses, car parks and sports fields. Available in 4 different sizes and power steps (50 W, 100 W, 150 W and 200 W), the range allows for great flexibility with its multiple possible combinations: 3 colour temperature options (3,000 K warm white, 4,000 K neutral white and 5,700 K cool white) with a colour rendering index of more than 80; 2 integrated power supply options (On/Off and DALI); and 2 optics options (60° and asymmetrical). The luminaire can be ceiling, wall or floor-mounted through the integrated adjustable steel bracket with a protractor, or pole-mounted (in poles with diameter up to 61 mm) through a dedicated accessory (to be ordered separately). Thanks to its black powder-coated die-cast aluminium body and its front glass, the fixture is tough, durable (IP66 and IK08) and is able to withstand harsh environmental conditions (such as ambient temperature variations from -30°C to +50°C).

### GENERAL INFORMATION

Context	Industry, logistics, facades, sporting facilities and outdoor area lighting
Luminaire	LED luminaire with mid and high lumen power
Application	Indoor / Outdoor
Unique digital code (Datamatrix)	Currently not present
Colour	Black
Type of light source	LED
System power	50 W
LED Lifetime	L80B50 (Tq=25°C) > 75.000 h
Weight (kg)	1.7

### OPTIC AND ILLUMINATING FEATURES

Optic	60°
Unified Glare Rating	ULOR = 0%
Lumen output (lm)	6600
Efficacy (lm/W)	132
Colour temperature	3000 K
Colour Rendering Index	CRI 80
Standard Deviation Colour Matching	SDCM = 5
Photobiological Risk Class	RG1
Standard	EN 60598-1; EN 60598-2-5; IEC/TR 62778; EN 62493

Warranty	5 years
Stocking temperature	-40° +80°
Operating temperature	-30°C + +50 °C

### ELETRICAL AND LIGHTING FEATURES

Supply voltage	220-240 V
Rated frequency (Hz)	50/60 Hz
Driver	Built-in
Driver failure rate	F10 (Tq=25°C) > 80.000 h
Overvoltage protection	DM 1KV / CM 2KV

### MATERIALS

Body	Die-cast aluminium
Shield type	Tempered 4mm-thick surface glass with Gewiss logo

### INSTALLATION AND MAINTENANCE

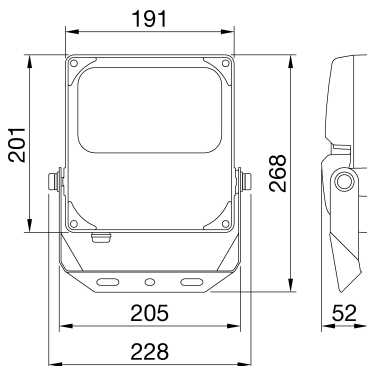
Optic	High-efficiency lens and reflector unit	Control System	ON / OFF
Gasket	-	Mounting and installation	Floodlight mast - Ceiling - Wall - Ground
Locking Hook	-	Tilt	Rotation on bracket with integrated goniometer
External screw	Stainless steel	Wiring	With power cable

### STANDARDS AND APPROVALS

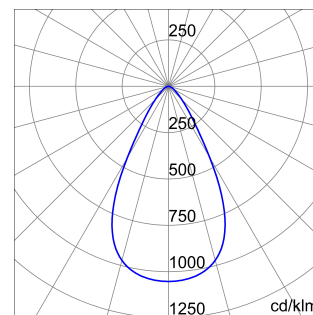
Classification	-	Fixing	Via integrated bracket
Device with reduced surface temperature	-	Light source replaceability	Non-replaceable
DIN 18032-3 certification	Not available	Controlgear replaceability	By professional
IPEA	-	Driver Box	Built-in
Insulation class	I	Maximum surface exposed to the wind	0,04 m2

Wiring	With power cable
Fixing	Via integrated bracket
Light source replaceability	Non-replaceable
Controlgear replaceability	By professional
Driver Box	Built-in
Maximum surface exposed to the wind	0,04 m2
IP degree	IP66
Mechanical resistance	IK08
Glow Wire Test	750 °C

### DIMENSIONAL



### PHOTOMETRIC DISTRIBUTION



### TECHNICAL SYMBOLOGY





Product Data Sheet  
**GWF1100HH830**

ELIA FL

STANDARDS/APPROVALS

