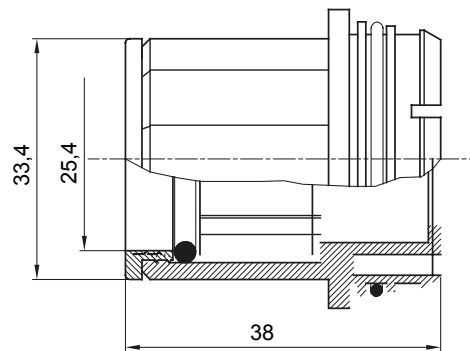
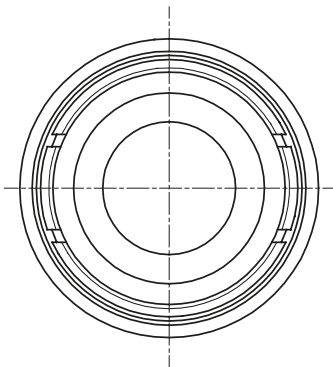




Routing components for rigid protective conduits with IP40 and IP67 protection degree.

|                 |               |                 |              |
|-----------------|---------------|-----------------|--------------|
| Colour          | Grey RAL 7035 | Characteristics | Halogen free |
| Conduits Ø (mm) | 25            | Electrocod      | 21221        |

### DIMENSIONAL



### TECHNICAL SYMBOLOGY



### STANDARDS/APPROVALS

