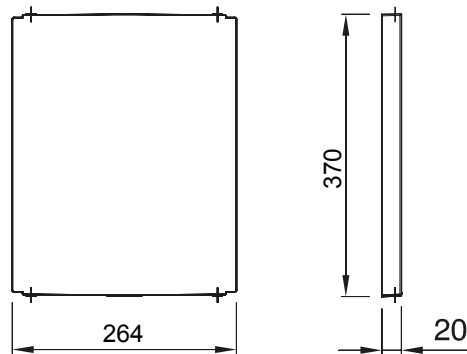




Accessories and complementary items for distribution and automation boards range 46.

Colour	Grey RAL 7035	Characteristics	Halogen free
For boards LxH (mm)	310x425	Suitable for	46QP - 46QM - 46QX
Electrocod	0303	Hinge material	Polyester

### DIMENSIONAL



### TECHNICAL SYMBOLOGY



### STANDARDS/APPROVALS

