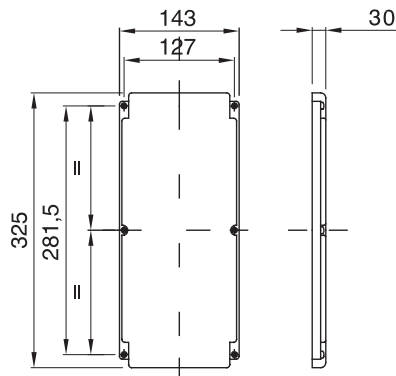


| | | | | |
|-------------------|---|--------|-----------------------------|------------|
| IP degree | | IP66 | Mechanical resistance | > IK10 |
| For Modular bases | GW66696 - GW66697 - GW66698 - GW66781 - GW66782 - GW66783 | | For back boxes | GW66685 |
| Glow Wire Test | | 850 °C | Suitable for | Heavy duty |
| Electrocod | | 2222 | Impact resistance at -20 °C | 20 J |

DIMENSIONAL



TECHNICAL SYMBOLOGY

IP **IK** **GWT**

IP66

> IK10

850 °C

STANDARDS/APPROVALS

