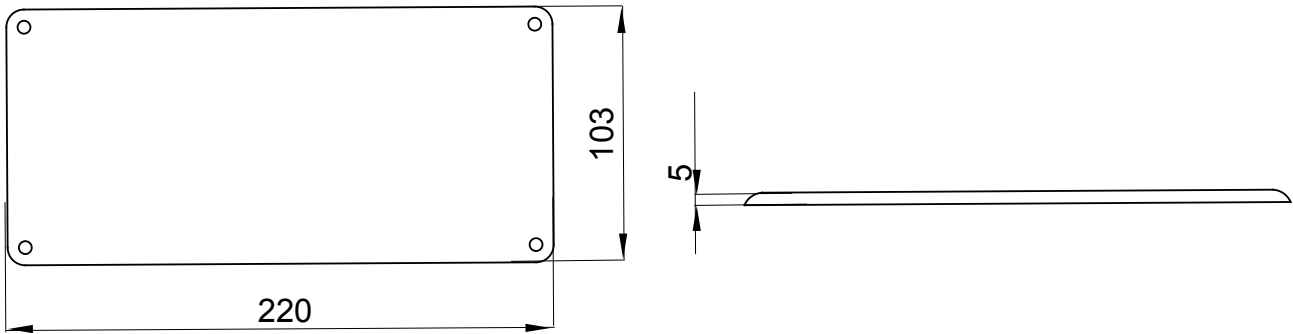


Description	Lid for vertical interlocked socket-outlet 16-32A	Glow Wire Test	650 °C
Dimensions LxH (mm)	220x103	IP degree	IP65
Mechanical resistance	IK08	Electrocod	2222

DIMENSIONAL



TECHNICAL SYMBOLOGY

GWT **IP** **IK**

650 °C

IP65

IK08

STANDARDS/APPROVALS

