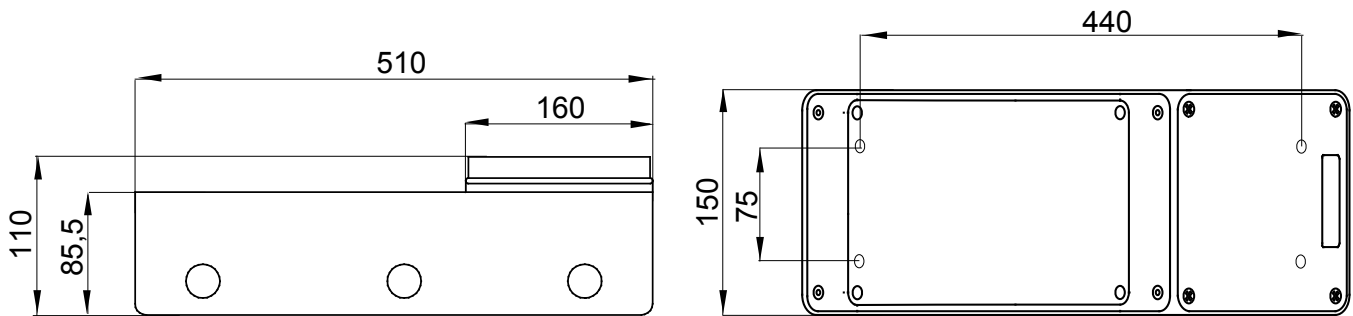


Top entries	2xØ 37/48	Glow Wire Test	650 °C
Houseable interloc. socket	1	IP degree	IP55
Mechanical resistance	IK08	Side entries	6xØ 23
Houseable IB socket-outlets	63 A	Electrocod	2221
Minimum installation temperature	-25°C		

DIMENSIONAL



TECHNICAL SYMBOLOGY

GWT

650 °C

IP

IP55

IK

IK08

STANDARDS/APPROVALS

