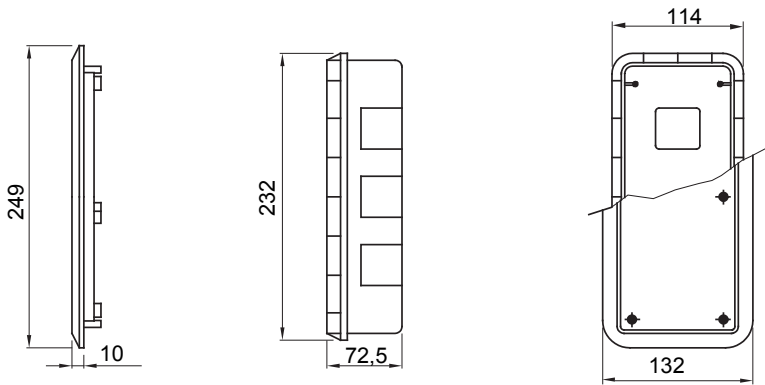


For walls	Masonry	Glow Wire Test	650 °C
Houseable interloc. socket	1	IP degree	IP55
Mechanical resistance	IK08	Houseable IB socket-outlets	16/32 A SBF / CBF / Automatika
Electrocod	2222	Drilling bottom	Through multidiameter cutter
Minimum installation temperature	-15°C		

### DIMENSIONAL



### TECHNICAL SYMBOLOGY

**GWT**

650 °C

**IP**

IP55

**IK**

IK08

### STANDARDS/APPROVALS

