



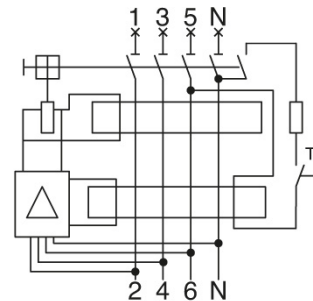
Description	RESIDUAL CURRENT CIRCUIT BREAKER
Code	SD
No. of poles	4P
No. modules	4
Rated current	63 A
Rated residual operating current	300 mA
Type	B[S]
Rated voltage (EN/IEC 61008-1, 61008-2-1, 62423)	400/415 V

Standard	IEC/EN 61008-1, IEC/EN 61008-2-1, IEC/EN 62423	Rated frequency (Hz)	50/60 Hz
Insulation voltage (Ui)	500 V	Rated impulse withstand voltage (Uimp)	4 kV
Overvoltage category	III	Level of immunity (8/20 μs)	5000 A
Section rigid cable	<25	Section flexible cable	<25
Rated tightening torque	2.5 Nm	Double connection	YES (only down stream)
Operating temperature	-25 ÷ +45°C	Stocking temperature	-40 +70 °C
Electrical endurance	≥ 10.000	Mechanical endurance	≥ 10.000
Auxiliaries compatibility	Yes	ReStart compatibility	No
Assembly position	Any		

### DIMENSIONAL



### WIRING DIAGRAM



**4P - 4 MODULES**

### STANDARDS/APPROVALS

